

# aiwa

**COMPACT DISC STEREO SYSTEM**  
**SISTEMA ESTEREO CON REPRODUCTOR DE DISCOS COMPACTOS**  
**CHAINE STEREO AVEC LECTEUR DE DISQUES COMPACTS**

# CX-ZL10

*-For Z-L10 and Z-L11*

**OPERATING INSTRUCTIONS**  
**MANUAL DE INSTRUCCIONES**  
**MODE D'EMPLOI**

**En** (English)

**E** (Español)

**F** (Français)

For assistance and information

***call toll free 1-800-BUY-AIWA***

(United States and Puerto Rico)

## WARNING

TO REDUCE THE RISK OF FIRE OR ELECTRIC SHOCK, DO NOT EXPOSE THIS APPLIANCE TO RAIN OR MOISTURE.



### Explanation of Graphical Symbols:



The lightning flash with arrowhead symbol, within an equilateral triangle, is intended to alert the user to the presence of uninsulated "dangerous voltage" within the product's enclosure that may be of sufficient magnitude to constitute a risk of electric shock to persons.



The exclamation point within an equilateral triangle is intended to alert the user to the presence of important operating and maintenance (servicing) instructions in the literature accompanying the appliance.

## PRECAUTIONS

Read the Operating Instructions carefully and completely before operating the unit. Be sure to keep the Operating Instructions for future reference. All warnings and cautions in the Operating Instructions and on the unit should be strictly followed, as well as the safety suggestions below.

### Installation

- 1 **Water and moisture** — Do not use this unit near water, such as near a bathtub, washbowl, swimming pool, or the like.
- 2 **Heat** — Do not use this unit near sources of heat, including heating vents, stoves, or other appliances that generate heat. It also should not be placed in temperatures less than 5°C (41°F) or greater than 35°C (95°F).
- 3 **Mounting surface** — Place the unit on a flat, even surface.
- 4 **Ventilation** — The unit should be situated with adequate space around it so that proper heat ventilation is assured. Allow 10 cm (4 in.) clearance from the rear and the top of the unit, and 5 cm (2 in.) from each side.
  - Do not place the unit on a bed, rug, or similar surface that may block the ventilation openings.
  - Do not install the unit in a bookcase, cabinet, or airtight rack where ventilation may be impeded.
- 5 **Objects and liquid entry** — Take care that objects or liquid do not get inside the unit through the ventilation openings.
- 6 **Carts and stands** — When placed or mounted on a stand or cart, the unit should be moved with care. Quick stops, excessive force, and uneven surfaces may cause the unit or cart to overturn or fall.



- 7 **Condensation** — Moisture may form on the CD pickup lens when:
  - The unit is moved from a cold spot to a warm spot
  - The heating system has just been turned on
  - The unit is used in a very humid room
  - The unit is cooled by an air conditioner
 When this unit has condensation inside, it may not function normally. Should this occur, leave the unit for a few hours, then try to operate again.

- 8 **Wall or ceiling mounting** — The unit should not be mounted on a wall or ceiling, unless specified in the Operating Instructions.

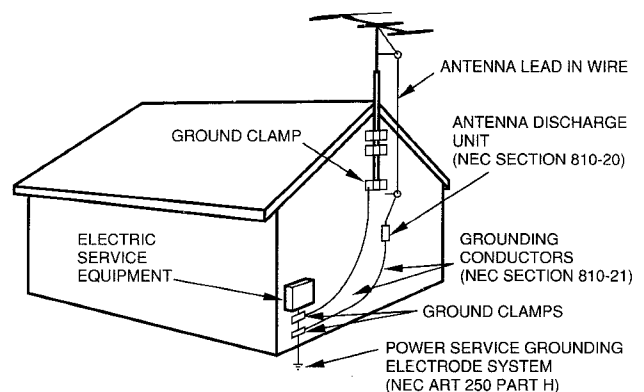
### Electric Power

- 1 **Power sources** — Connect this unit only to power sources specified in the Operating Instructions, and as marked on the unit.
- 2 **Polarization** — As a safety feature, some units are equipped with polarized AC power plugs which can only be inserted one way into a power outlet. If it is difficult or impossible to insert the AC power plug into an outlet, turn the plug over and try again. If it is not still inserted easily into the outlet, please call a qualified service technician to service or replace the outlet. To avoid defeating the safety feature of the polarized plug, do not force it into a power outlet.
- 3 **AC power cord**
  - When disconnecting the AC power cord, pull it out by the AC power plug. Do not pull the cord itself.
  - Never handle the AC power plug with wet hands, as this could result in fire or shock.
  - Power cords should be firmly secured to avoid being severely bent, pinched, or walked upon. Pay particular attention to the cord from the unit to the power outlet.
  - Avoid overloading AC power plugs and extension cords beyond their capacity, as this could result in fire or shock.
- 4 **Extension cord** — To help prevent electric shock, do not use a polarized AC power plug with an extension cord, receptacle, or other outlet unless the polarized plug can be completely inserted to prevent exposure of the blades of the plug.
- 5 **When not in use** — Unplug the AC power cord from the power outlet if the unit will not be used for several months or more. When the cord is plugged in, a small amount of current continues to flow to the unit, even when the power is turned off.

### Outdoor Antenna

- 1 **Power lines** — When connecting an outdoor antenna, make sure it is located away from power lines.
- 2 **Outdoor antenna grounding** — Be sure the antenna system is properly grounded to provide protection against unexpected voltage surges or static electricity build-up. Article 810 of the National Electrical Code, ANSI/NFPA 70, provides information on proper grounding of the mast, supporting structure, and the lead-in wire to the antenna discharge unit, as well as the size of the grounding unit, connection to grounding terminals, and requirements for grounding terminals themselves.

Antenna Grounding According to the National Electrical Code



NEC-NATIONAL ELECTRICAL CODE

**Maintenance**

Clean the unit only as recommended in the Operating Instructions.

**Damage Requiring Service**

Have the units serviced by a qualified service technician if:

- The AC power cord or plug has been damaged
- Foreign objects or liquid have got inside the unit
- The unit has been exposed to rain or water
- The unit does not seem to operate normally
- The unit exhibits a marked change in performance
- The unit has been dropped, or the cabinet has been damaged

**DO NOT ATTEMPT TO SERVICE THE UNIT YOURSELF**

**Check your system and accessories**

**Z-L10**

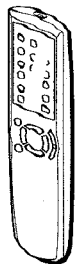
CX-ZL10 Compact disc stereo cassette receiver  
 SX-ZL10 Front speakers

**Z-L11**

CX-ZL10 Compact disc stereo cassette receiver  
 SX-ZL10 Front speakers  
 PX-E860 Stereo turntable

**Common**

Remote control



AM antenna



FM antenna



Operating Instructions, etc.

**Owner's record**

For your convenience, record the model number and serial number (you will find them on the rear of your unit) in the space provided below. Please refer to them when you contact your Aiwa dealer in case of difficulty.

Model No.	Serial No. (Lot No.)
CX-ZL10	
SX-ZL10	
PX-E860 (Z-L11 only)	

**TABLE OF CONTENTS**

**PREPARATIONS**

CONNECTIONS (FOR Z-L10) ..... 4  
 CONNECTIONS (FOR Z-L11)..... 5  
 REMOTE CONTROL .....6  
 BEFORE OPERATION .....7

**SOUND**

AUDIO ADJUSTMENTS ..... 8  
 GRAPHIC EQUALIZER .....8

**RADIO RECEPTION**

MANUAL TUNING .....9  
 PRESETTING STATIONS .....9

**TAPE PLAYBACK**

BASIC OPERATIONS ..... 10

**CD PLAYING**

BASIC OPERATIONS ..... 10  
 PROGRAMMED PLAY ..... 12

**RECORDING**

BASIC RECORDING ..... 13  
 AI EDIT RECORDING ..... 14  
 PROGRAMMED EDIT RECORDING ..... 15

**CLOCK AND TIMER**

SETTING THE CLOCK ..... 16  
 SETTING THE SLEEP TIMER ..... 16  
 SETTING THE TIMER ..... 17

**TURNTABLE**

BASIC OPERATIONS ..... 18

**OTHER CONNECTIONS**

CONNECTING OPTIONAL EQUIPMENT ..... 18  
 LISTENING TO EXTERNAL SOURCES ..... 19

**GENERAL**

CARE AND MAINTENANCE ..... 19  
 TROUBLESHOOTING GUIDE ..... 20  
 SPECIFICATIONS ..... 20

PARTS INDEX ..... *Back cover*

En

## PREPARATIONS

# CONNECTIONS (FOR Z-L10)

### IMPORTANT

Connect the speakers, antennas, and all optional equipment first. Then connect the AC cord.

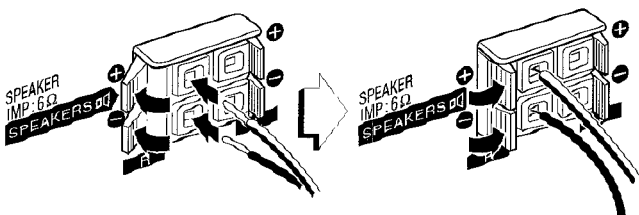
There are no difference between the front speakers. Both speakers can be connected as L (left) or R (right).

### Before connecting the AC cord

The rated voltage of your unit shown on the rear panel is 120 V AC. Check that the rated voltage matches your local voltage.

### 1 Connect the right and left speakers to the main unit.

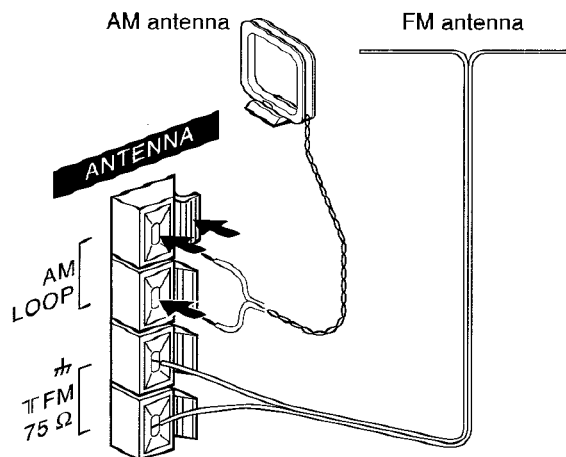
Connect the right speaker cord to **SPEAKERS R** terminals, and left to **SPEAKERS L** terminals.



The speaker cord with the white stripe should be connected to **+** terminal and the black cord to **-** terminal.

### 2 Connect the supplied antennas.

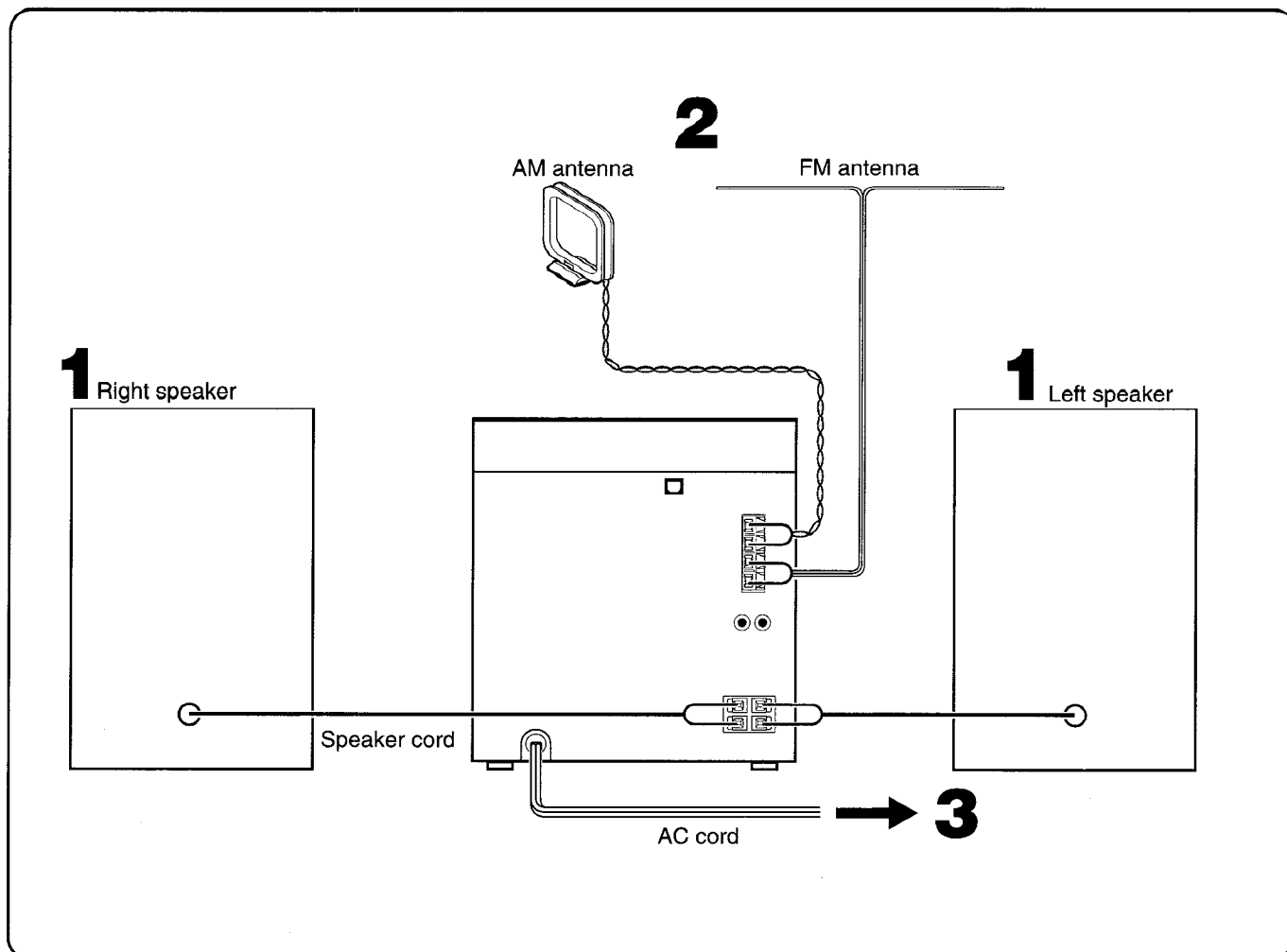
Connect the FM antenna to **FM 75 Ω** terminals and the AM antenna to **AM LOOP** terminals.



### 3 Connect the AC cord to an AC outlet.

The game Demo will begin when the AC cord is plugged into an AC outlet. See page 7 "Game Demo" for details.

*To be continued on page 6.*



# CONNECTIONS (FOR Z-L11)

## IMPORTANT

Connect the speakers, antennas, and all optional equipment first. Then connect the AC cord.

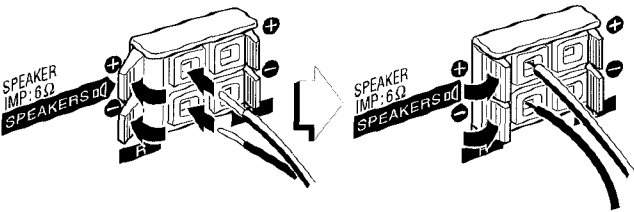
There are no difference between the front speakers. Both speakers can be connected as L (left) or R (right).

### Before connecting the AC cord

The rated voltage of your unit shown on the rear panel is 120 V AC. Check that the rated voltage matches your local voltage.

### 1 Connect the right and left speakers to the main unit.

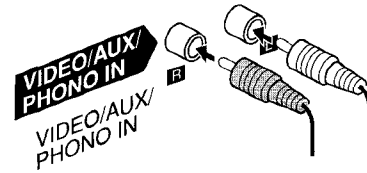
Connect the right speaker cord to **SPEAKERS R** terminals, and left to **SPEAKERS L** terminals.



The speaker cord with the white stripe should be connected to **+** terminal and the black cord to **-** terminal.

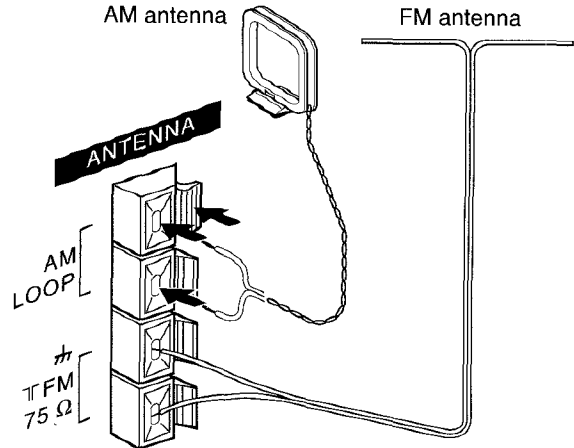
### 2 Connect the stereo turntable to the main unit.

Connect the red plug to **VIDEO/AUX/PHONO IN R** jack, and the white plug to **VIDEO/AUX/PHONO IN L** jack.



### 3 Connect the supplied antennas.

Connect the FM antenna to **FM 75 Ω** terminals and the AM antenna to **AM LOOP** terminals.

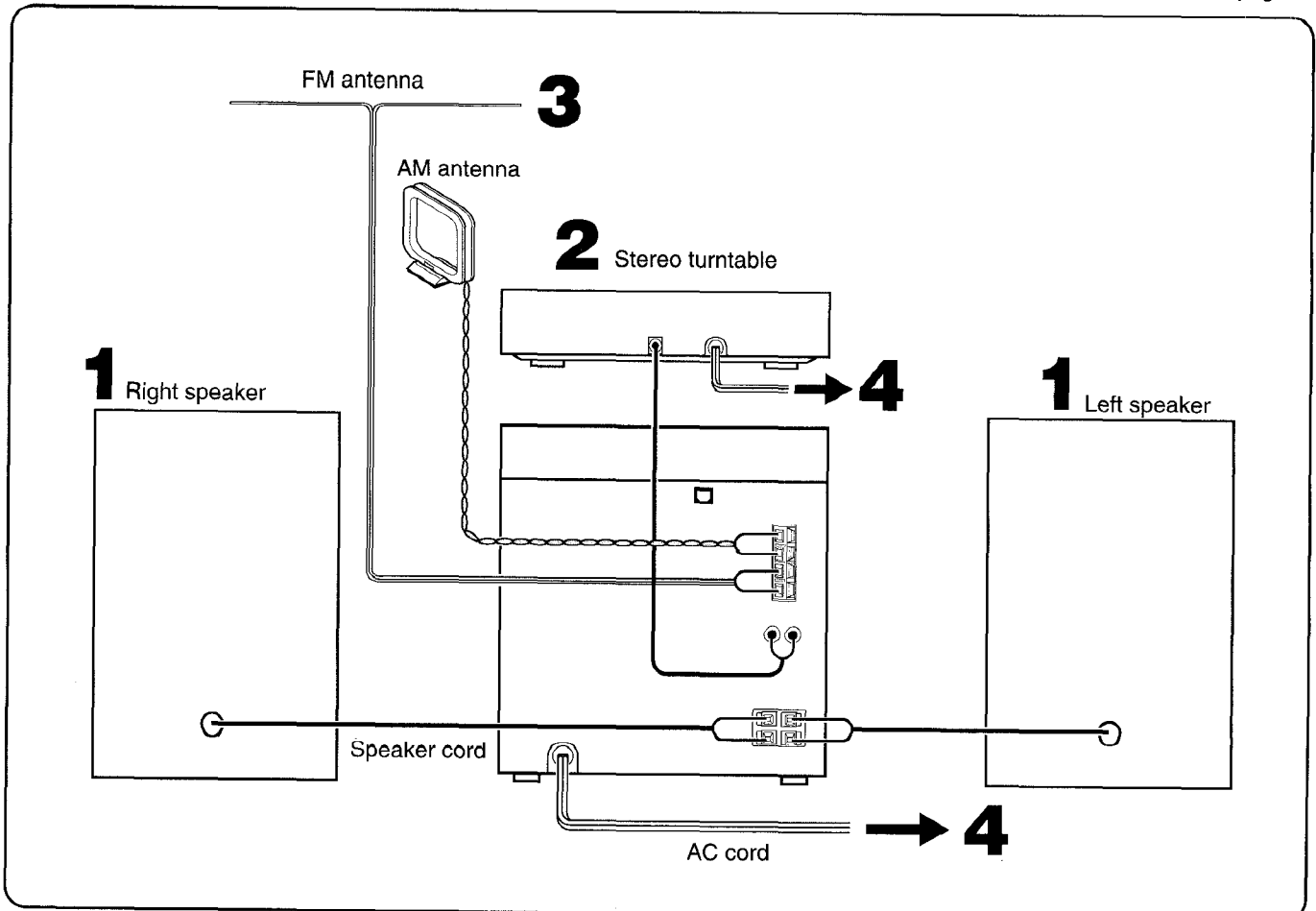


### 4 Connect the AC cord to an AC outlet.

The game Demo will begin when the AC cord is plugged into an AC outlet. See page 7 "Game Demo" for details.

En

To be continued on page 6.



## To position the antennas

### FM feeder antenna:

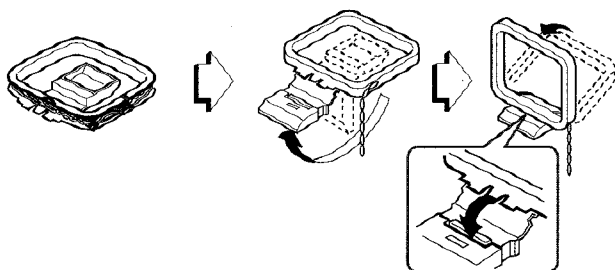
Extend the antenna horizontally in a T-shape and fix its ends to the wall.

### AM antenna:

Position to find the best reception.

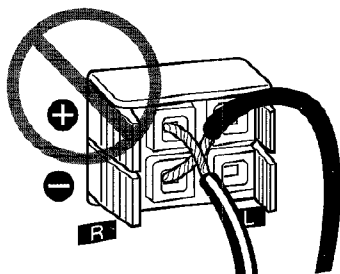
## To stand the AM antenna on a surface

Fix the claw to the slot.



### NOTE

- Be sure to connect the speaker cords correctly. Improper connections can cause short circuits in **SPEAKERS** terminals.

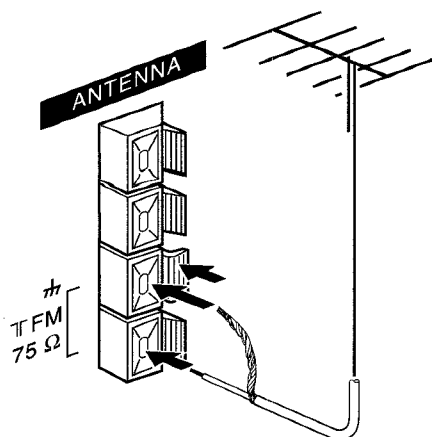


- Do not leave objects generating magnetism, such as credit cards, near the speakers, as the objects may be damaged.
- Do not bring the FM antenna near metal objects or curtain rails.
- Do not bring the AM antenna near other optional equipment, the stereo system itself, the AC cord or speaker cords, since noise will be picked up.
- Do not unwind the AM antenna wire.

## CONNECTING AN OUTDOOR ANTENNA

For better FM reception, use of an outdoor antenna is recommended.

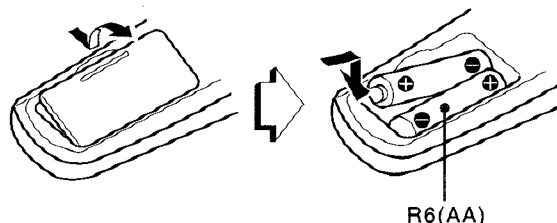
Connect the outdoor antenna to **FM 75 Ω** terminals.



## REMOTE CONTROL

### Inserting batteries

Detach the battery cover on the rear of the remote control and insert two R6 (size AA) batteries.



### When to replace the batteries

The maximum operational distance between the remote control and the sensor on the main unit should be approximately 5 meters (16 feet). When this distance decreases, replace the batteries with new ones.

### To use SHIFT on the remote control

Buttons ① have two different functions. One of these functions is indicated on the button, and the other on the plate above the button.

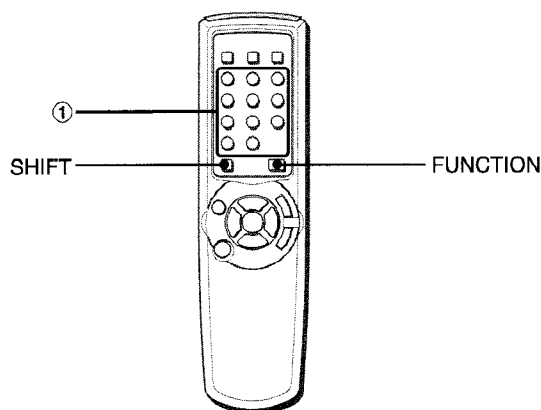
To use the function on the button, simply press the button.

To use the function on the plate above the button, press the button while pressing **SHIFT**.

### To use FUNCTION on the remote control

**FUNCTION** substitutes for the function buttons (**TAPE, TUNER/BAND, VIDEO/AUX/PHONO, CD**) on the main unit.

Each time **FUNCTION** is pressed, the next function is selected cyclically.

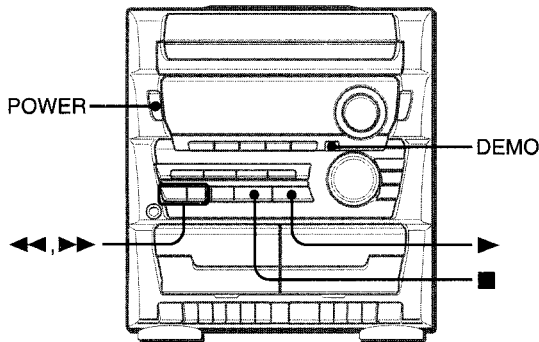


### NOTE

- If the remote control is not going to be used for an extended period of time, remove the batteries to prevent possible electrolyte leakage.
- The remote control may not operate correctly when:
  - The line of sight between the remote control and the remote sensor inside the display window is exposed to intense light, such as direct sunlight.
  - Other remote controls are used nearby (those of a television, etc.).

To connect other optional equipment → page 18.

## BEFORE OPERATION



### To turn the unit on

Press one of the function buttons (**TAPE, TUNER/BAND, VIDEO/AUX/PHONO, CD**). Playback of the inserted disc begins, or the previously tuned station is received (Direct Play Function).

**POWER** is also available.

### NOTE

When the unit is turned on, the disc compartment may open and close to reset the unit.

### To turn the power off

Press **POWER**.

## Game Demo

When the AC cord is plugged into an AC outlet for the first time after purchase, the game Demo will begin in the display. When the power is turned on, the game Demo will end. When the power is turned off, the game Demo will begin again.

Until the clock is set, the game Demo will begin whenever the power is turned off.

When the clock is set, the game Demo will not begin even if the power is turned off. (See "SETTING THE CLOCK" on page 16.)

### To start or end game Demo when the clock is set

Press **DEMO** when the power is off, the game Demo will begin. To end the game Demo, press **DEMO** again.

### To play the game Demo

**1 Press DEMO so that the game Demo displays.**

**2 Press ►.**

Three numbers on the display start to run.

**3 Press ■ once.**

The number on the left side stops.

**4 Press ■ twice to stop the remaining two numbers.**

#### Scoring:

20 points are given to start the game.

If all the numbers are equal, 50 points are added to the score.

If not equal, one point is subtracted.

If the gained points reach 9999, you win.

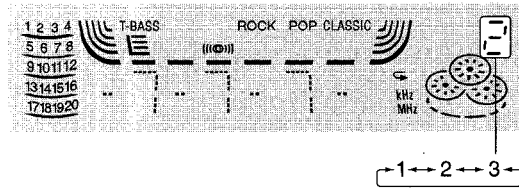
If the gained points fall to 0, you lose.

### To reset the game Demo

Press **DEMO** twice, then press ►. The game starts again.

### To change the probability of equalizing the three numbers

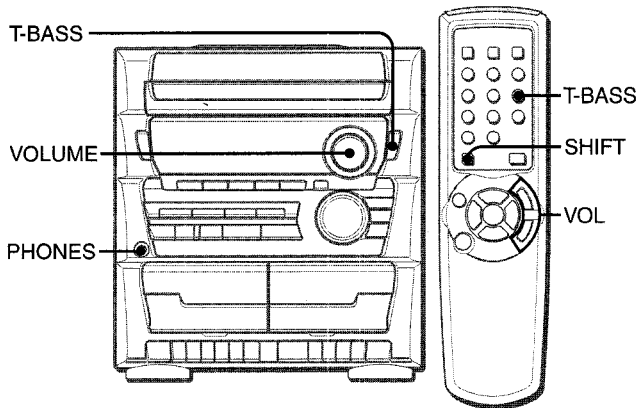
Press ◀ or ▶ repeatedly to select one of the three probability levels when playing the game Demo. The tray number indicator in the display changes between 1 and 3. As the tray number increases from 1 to 3, the higher the probability of equalizing.



### NOTE

- While playing the game Demo, ■, ◀, ▶ and ► are available only for the game Demo. Cancel the game Demo to use these buttons for the functions such as CD playing, etc.
- During the game Demo, some indicators unrelated to the actual operation light up on the display.

## AUDIO ADJUSTMENTS



### VOLUME CONTROL

Turn **VOLUME** on the main unit, or press **VOL** on the remote control.

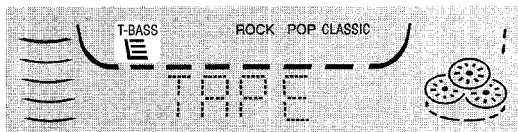
The volume level is displayed as a number from 00 to MAX (31). The volume level is automatically set to 16 when the power is turned off with the volume level set to 17 or more.

### SUPER T-BASS SYSTEM

The T-BASS system enhances the realism of low-frequency sound.

Press **T-BASS**.

Each time it is pressed, the level changes. Select one of the three levels or the off position to suit your preference.



**To select with the remote control**

Press **T-BASS** while pressing **SHIFT**.

#### NOTE

Low frequency sound may be distorted when the T-BASS system is used for a disc or tape in which low frequency sound is already emphasized. In this case, cancel the T-BASS system.

### Using the headphones

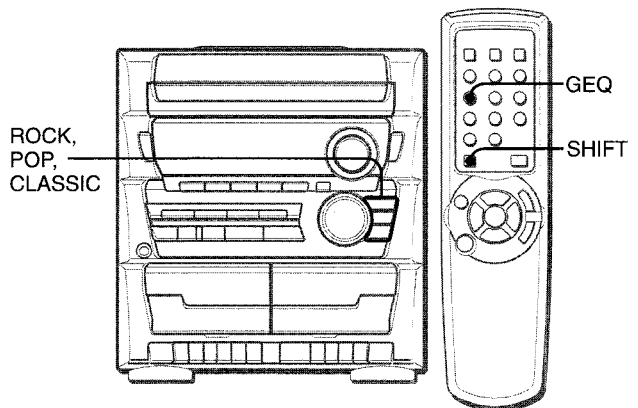
Connect headphones to **PHONES** jack with a standard stereo plug (ø6.3 mm, 1/4 inch).

No sound is output from the speakers while the headphones are plugged in.

### Sound adjustment during recording

The output volume and tone of the speakers or headphones may be freely varied without affecting the recording.

## GRAPHIC EQUALIZER



This unit provides the following three different equalization curves.

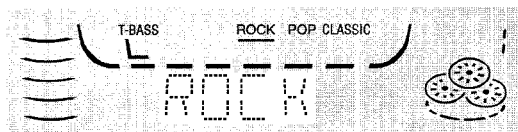
**ROCK:** Powerful sound emphasizing treble and bass

**POP:** More presence in the vocals and midrange

**CLASSIC:** Enriched sound with heavy bass and fine treble.

Press one of the graphic equalizer buttons (**ROCK, POP, CLASSIC**).

The selected equalization mode is displayed.

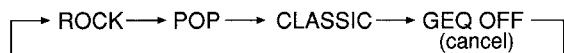


**To cancel the selected mode**

Press the selected button again. "GEQ OFF" is displayed.

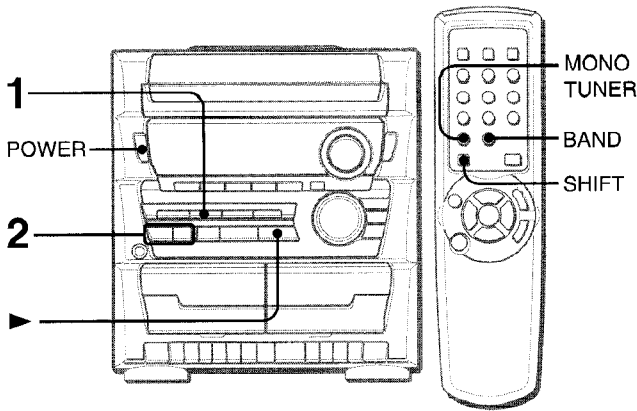
**To select with the remote control**

Press **GEQ** repeatedly while pressing **SHIFT**. The GEQ mode is displayed cyclically as follows.





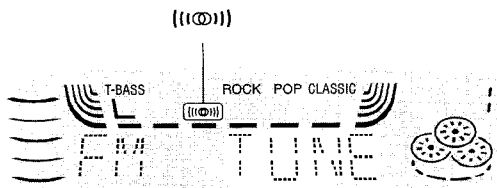
# MANUAL TUNING



**1 Press TUNER/BAND to select the FM or AM band.**  
When **TUNER/BAND** is pressed while the power is off, the power is turned on directly (Direct Play Function).

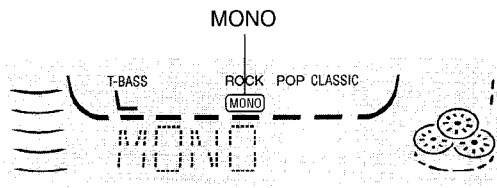
**To select a band with the remote control**  
Press **BAND** while pressing **SHIFT**.

**2 Press ◀◀DOWN or ▶▶UP to select a station.**  
Each time the button is pressed, the frequency changes. When a station is received, "TUNE" is displayed for 2 seconds. During FM stereo reception, ((Ⓜ)) is displayed.



**To search for a station quickly (Auto Search)**  
Keep ◀◀DOWN or ▶▶UP pressed until the frequency starts to change rapidly. After tuning in to a station, the search stops. To stop the Auto Search manually, press ◀◀DOWN or ▶▶UP.  
• The Auto Search may not stop at stations with very weak signals.

**When an FM stereo broadcast contains noise**  
Press **MONO TUNER** on the remote control while pressing **SHIFT** so that "MONO" appears on the display. Noise is reduced, although reception is monaural.

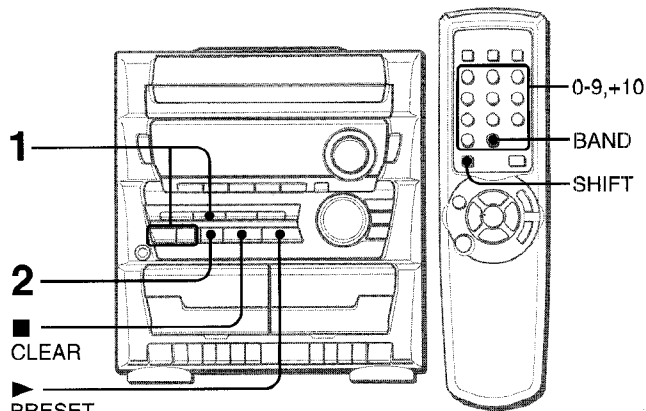


To restore stereo reception, press **MONO TUNER** on the remote control while pressing **SHIFT** so that "STEREO" appears.

**To change the AM tuning interval**  
The default setting of the AM tuning interval is 10 kHz/step. If you use this unit in an area where the frequency allocation system is 9 kHz/step, change the tuning interval. Press **POWER** while pressing ▶ on the unit. To reset the interval, repeat this procedure.

**NOTE**  
When the AM tuning interval is changed, all preset stations are cleared. The preset stations have to be set again.

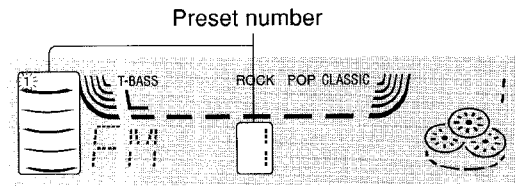
# PRESETTING STATIONS



The unit can store a total of 32 preset stations. When a station is stored, a preset number is assigned to the station. Use the preset number to tune in to a preset station directly.

**1 Press TUNER/BAND to select a band, and press ◀◀DOWN or ▶▶UP to select a station.**

**2 Press IISET to store the station.**  
A preset number beginning from 1 in consecutive order for each band is assigned to the station.



**3 Repeat steps 1 and 2.**  
No more stations will be stored if a total of 32 preset stations have already been stored.

**NOTE**  
"FULL" is displayed if you attempt to store more than 32 preset stations.

# PRESET NUMBER TUNING

Use the remote control to select the preset number directly.

**1 Press BAND while pressing SHIFT to select a band.**

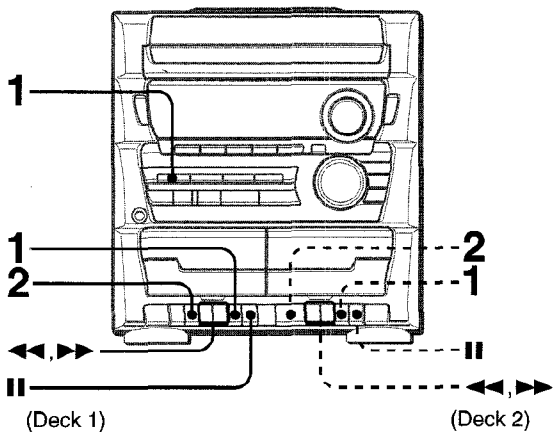
**2 Press numbered buttons 0-9 and +10 to select a preset number.**

Example:  
To select preset number 20, press +10, +10 and 0.  
To select preset number 15, press +10 and 5.

**Selecting a preset number on the main unit**  
Press **TUNER/BAND** to select a band. Then, press ▶ **PRESET** repeatedly. Each time ▶ **PRESET** is pressed, the next ascending number is selected.

**To clear a preset station**  
Select the preset number of the station to be cleared with the numbered buttons. Then, press ■ **CLEAR**, and press IISET within 4 seconds. The preset numbers of all other stations in the band with higher numbers are decreased by one.

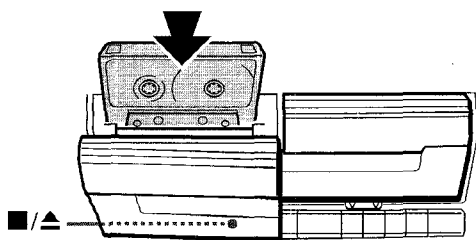
**BASIC OPERATIONS**



**Usable tapes**

Use Type I (normal) tapes only.

**1 Press TAPE, then press ■/▲ to open the cassette holder.**



Insert a tape with the exposed side down. Push the cassette holder to close.

**2 Press ► to start play.**

Only the side facing out from the unit can be played back.

To stop play, press ■/▲.

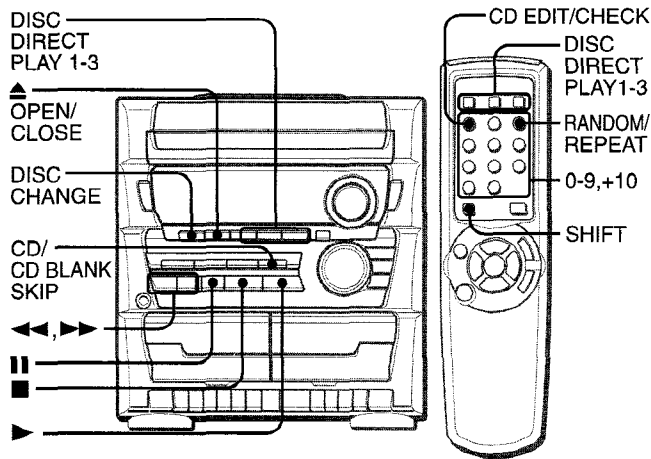
To pause play, press |||. To resume play, press again.

To fast forward or rewind, press ◀◀ or ▶▶ in stop mode. Then press ■/▲ to stop the tape.

**When both Deck 1 and Deck 2 are set in the playback mode**

Deck 2 is heard.

**BASIC OPERATIONS**

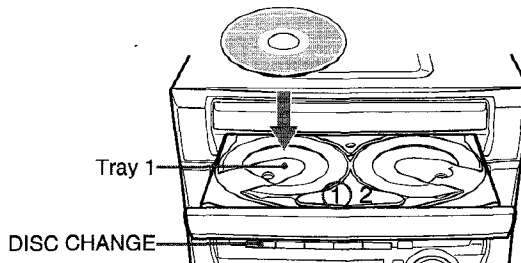


**LOADING DISCS**

Press CD, then press ▲OPEN/CLOSE to open the disc compartment. Load disc(s) with the label side up.

To load one or two discs, place the discs on tray 1 and 2.

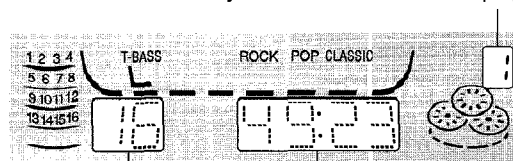
To load three discs, press DISC CHANGE to rotate the trays after placing two discs. Place the third disc on tray 3.



After placing the discs, press ▲OPEN/CLOSE to close the disc compartment.

The display shows the information of the disc to be played.

Tray number of the disc to be played



Total number of tracks

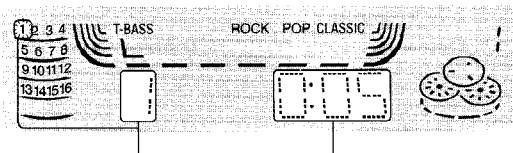
Total playing time

## PLAYING DISCS

Load discs.

**To play all discs in the disc compartment, press ►.**

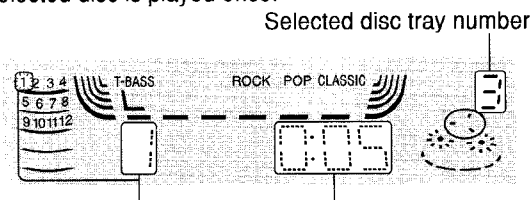
Play begins with the disc on tray 1.



Number of track being played    Elapsed playing time

**To play one disc only, press one of DISC DIRECT PLAY 1-3.**

The selected disc is played once.



Number of track being played    Elapsed playing time

**To stop play, press ■.**

**To pause play, press II.** To resume play, press again.

**To search for a particular point during playback, keep ◀◀ or ▶▶ pressed and release the button at the desired point.**

**To skip to the beginning of a track during playback, press ◀◀ or ▶▶ repeatedly.**

**To remove discs, press ▲OPEN/CLOSE.**

**To start play when the power is off (Direct Play Function)**

Press CD. The power is turned on and play of the loaded disc(s) begins.

When ▲OPEN/CLOSE is pressed, the power is also turned on and the disc compartment is opened.

**To check the remaining time**

During play, press CD EDIT/CHECK on the remote control while pressing SHIFT. The amount of time remaining until all tracks finish playing is displayed. To restore the playing time display, repeat the above.

**Selecting a track with the remote control**

1 Press one of DISC DIRECT PLAY 1-3 to select a disc.

2 Press numbered buttons 0-9 and +10 to select a track.

Example:

To select the 25th track, press +10, +10 and 5.

To select the 10th track, press +10 and 0.

The selected track starts to play and continues to the end of that disc.

**Replacing discs during play**

While one disc is playing, the other discs can be replaced without interrupting play.

1 Press DISC CHANGE.

2 Remove the discs and replace with other discs.

3 Press ▲OPEN/CLOSE to close the disc compartment.

### NOTE

- When loading an 8-cm (3-inch) disc, make sure to place it onto the inner circle of the tray precisely. Otherwise, the disc may be damaged or the disc compartment will not open. If it does not open, please consult your Aiwa dealer for repair.
- Do not place more than one compact disc on one disc tray.
- Do not tilt the unit with discs loaded. Doing so may cause malfunctions.
- When transporting the unit, remove the discs from the trays.
- Do not use irregular shape CDs (example: heart-shaped, octagonal ones). It may result in malfunctions.

## RANDOM/REPEAT PLAY

Use the remote control.

**RANDOM play**

All the tracks on the selected disc or all the discs can be played randomly.

**REPEAT play**

A single disc or all the discs can be played repeatedly.

**Press RANDOM/REPEAT while pressing SHIFT.**

Each time it is pressed, the function can be selected cyclically.

**RANDOM play** — RANDOM lights up on the display.

**REPEAT play** — ◀ lights up on the display.

**RANDOM/REPEAT play** — RANDOM and ◀ light up on the display.

**Cancel** — RANDOM and ◀ disappear from the display.

**To play all discs, press ► to start play.**

**To play a single disc, press one of DISC DIRECT PLAY 1-3 to start play.**

### NOTE

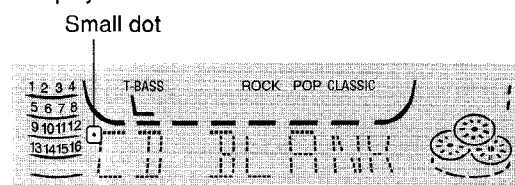
During random play it is not possible to skip to the previously played track with ◀◀.

## BLANK SKIP PLAY

The silent portions between tracks recorded on a CD can be skipped during playback.

**1 Press CD/CD BLANK SKIP on the main unit.**

"CD BLANK SKIP ON" is displayed and a small dot will appear in the display.



**2 Press ► to start playback.**

The silent portions between tracks will be skipped, and the sound will be played back without interruption. If a track fades out (ends with the sound gradually decreasing), the fadeout portion will also be skipped.

**To return to normal playback**

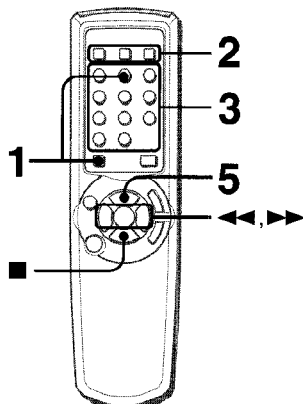
Press CD/CD BLANK SKIP again, "CD BLANK SKIP OFF" is displayed and the dot in the display will disappear.

### NOTE

- There may be a case where BLANK SKIP PLAY does not function correctly.
- BLANK SKIP PLAY is automatically canceled when performing AI EDIT RECORDING (page 14), PROGRAMMED EDIT RECORDING (page 15), or recording during PROGRAMMED PLAY (page 12) or RANDOM PLAY (page 11).

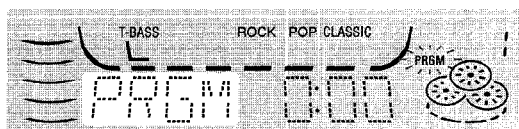
# PROGRAMMED PLAY

Up to 30 tracks can be programmed from any of the inserted discs.



Use the remote control.

**1 Press PRGM while pressing SHIFT in stop mode.**  
"PRGM" is displayed.



**2 Press one of DISC DIRECT PLAY 1-3 to select a disc.**

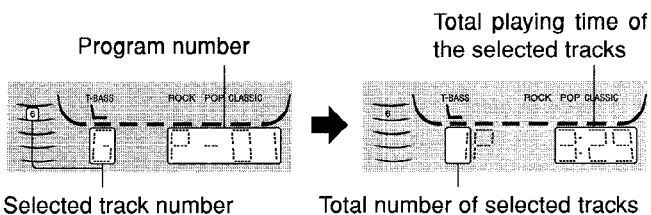
Go to the next step when the tray stops rotating.

**3 Press numbered buttons 0-9 and +10 to program a track.**

Example:

To select the 25th track, press **+10**, **+10** and **5**.

To select the 10th track, press **+10** and **0**.



**4 Repeat steps 2 and 3 to program other tracks.**

**5 Press ► to start play.**

### To check the program

Each time ◀◀ or ▶▶ is pressed in stop mode, a disc number, track number, and program number will be displayed.

### To clear the program

Press ■CLEAR in stop mode.

### To add tracks to the program

Repeat steps 2 and 3 in stop mode. The track will be programmed after the last track.

### To change the programmed tracks

Clear the program and repeat all the steps again.

### To play the programmed tracks repeatedly

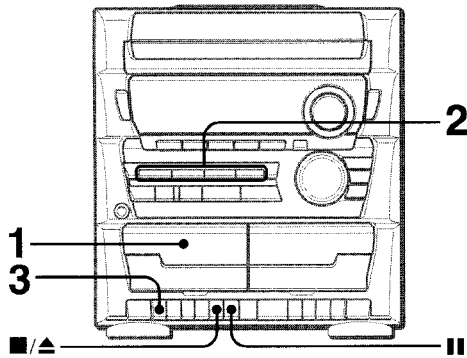
After programming the tracks, press **RANDOM/REPEAT** repeatedly while pressing **SHIFT** until ↺ appears on the display.

### NOTE

- During programmed play, you can not use random play, check the remaining time or select a track.
- "FULL" is displayed if you attempt to program more than 30 tracks.

# RECORDING

## BASIC RECORDING

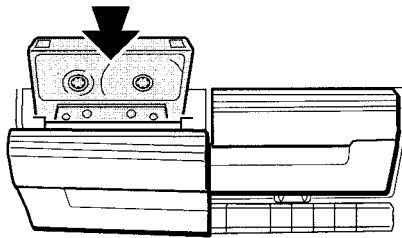


### Preparation

- Use Type I (normal) tapes only.
- Set the tape to the point where recording will start.
- Note that recording is done on only one side of the tape.

### 1 Insert the tape to be recorded on into Deck 1.

Insert the tape with the side to be recorded on first facing out from the unit.

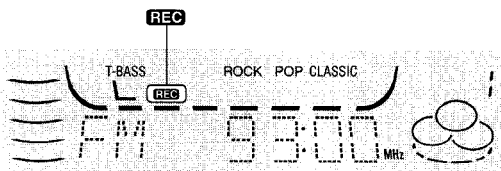


### 2 Press one of the function buttons and prepare the source to be recorded.

- To record from a CD**, press **CD** and load the disc(s).
- To record from a tape**, press **TAPE**. Then, insert the original tape into Deck 2 and play it.
- To record from a radio broadcast**, press **TUNER/BAND** and tune in to a station.
- To record from a connected source**, press **VIDEO/AUX/PHONO** and play.

### 3 Press ● on Deck 1 to start recording.

▶ is depressed simultaneously. When the selected function is CD, playback and recording start simultaneously.



- To stop recording**, press ■/▲ on Deck 1.
- To pause recording**, press || on Deck 1.
- To resume recording**, press it again.

### To record selected tracks of the CD

Before pressing ●, program the tracks (see page 12).

### To record part of the CD

When ● is pressed, recording always starts from the first track. To start in the middle of a track, play the CD first and press ||SET for CD at the point you wish to start recording from. Then, press ●. The pause mode for CD button is released automatically and recording starts.

### Sound adjustment during recording

The output volume and tone of the speakers or headphones are freely varied without affecting the recording.

### NOTE

- Do not press the buttons on Deck 2 during recording.
- ● cannot be depressed if the erasure prevention tab on the side of the tape to be recorded is broken off.

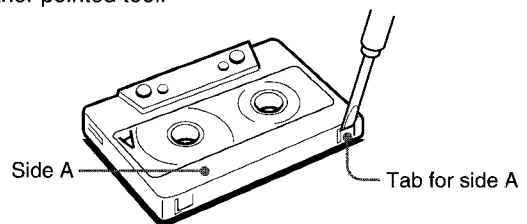
### To erase a recording

A previous recording is erased when a new recording is made on that part of that tape.

- 1 Insert the tape you want to erase into Deck 1.
- 2 Press **TAPE** and stop all the tape operation in Deck 2.
- 3 Wind up the tape to the point where the erasure is to be started.
- 4 Press ● on Deck 1 to start the erasure.

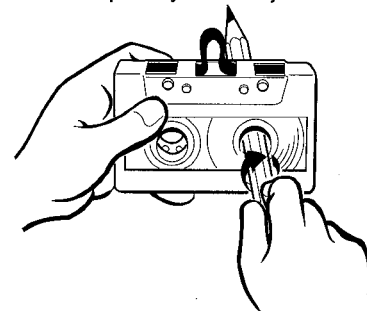
### About cassette tapes

- **To prevent accidental erasure**, break off the plastic tabs on the cassette tape after recording with a screwdriver or other pointed tool.

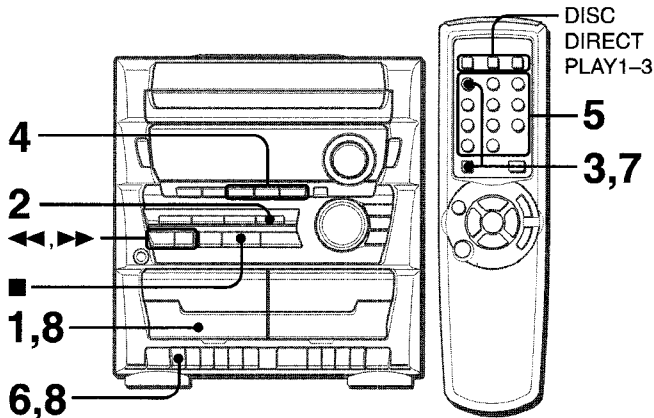


To record on the tape again, cover the tab openings with adhesive tape, etc.

- **120-minute or longer tapes** are extremely thin and easily deformed or damaged. They are not recommended.
- **Take up any slack** in the tape with a pencil or similar tool before use. Slack tape may break or jam in the mechanism.



# AI EDIT RECORDING



The AI edit recording function enables CD recording without worrying about tape length and track length. When a CD is inserted, the unit automatically calculates the total track length. If necessary, the order of tracks is rearranged so that no track is cut short.

(AI: Artificial Intelligence)

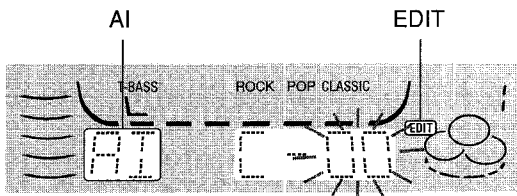
## 1 Insert the tape into Deck 1.

Insert the tape with the side to be recorded on first facing out from the unit, and wind up the tape with ◀.

## 2 Press CD and load the disc(s).

## 3 Press CD EDIT/CHECK once while pressing SHIFT on the remote control.

"EDIT" and "AI" are displayed.



• When "PRGM" is displayed, press CD EDIT/CHECK while pressing SHIFT again.

## 4 Press one of DISC DIRECT PLAY 1-3 to select a disc.

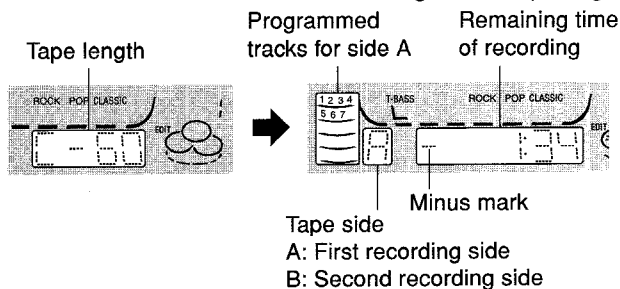
## 5 Press numbered buttons 0-9 on the remote control to designate the tape length.

10 to 99 minutes can be specified.

Example: When using a 60-minute tape, press 6 and 0.

In a few seconds, the tracks to be recorded on each side of the tape are determined.

• ◀ and ▶ are also available to designate the tape length.



## 6 Press ● on Deck 1 to start recording on the first side.

REC flashes for 10 seconds, and then CD play and recording of edited tracks for the first side start simultaneously. When the end of the tape is reached, Deck 1 enters the recording stop mode. After entering the recording stop mode go to step 7.

## 7 Press CD EDIT/CHECK while pressing SHIFT on the remote control to display the program for the second recording.

"B" is displayed.

## 8 Turn over the tape in Deck 1 and press ● to start recording on the second side.

### To stop recording

Press ■/▲ on Deck 1.

Recording and CD play stop simultaneously.

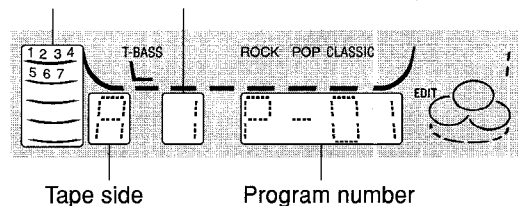
### To clear the edit program

Press ■CLEAR twice in the stop mode so that "EDIT" disappears on the display, or press ▲OPEN/CLOSE.

### To check the order of the programmed track numbers

Before recording, press CD EDIT/CHECK while pressing SHIFT on the remote control to select side A or B, and press ◀ or ▶ repeatedly.

Programmed track numbers    Track number



### To add tracks from other discs to the edit program

If there is any time remaining on the tape after step 5, you can add tracks from other discs in the CD compartment.

#### 1 Press CD EDIT/CHECK while pressing SHIFT on the remote control to select side A or B.

#### 2 Press one of DISC DIRECT PLAY 1-3 to select a disc.

#### 3 Press numbered buttons on the remote control to select tracks.

A track whose playing time is longer than the remaining time cannot be programmed.

#### 4 Repeat steps 2 and 3 to add more tracks.

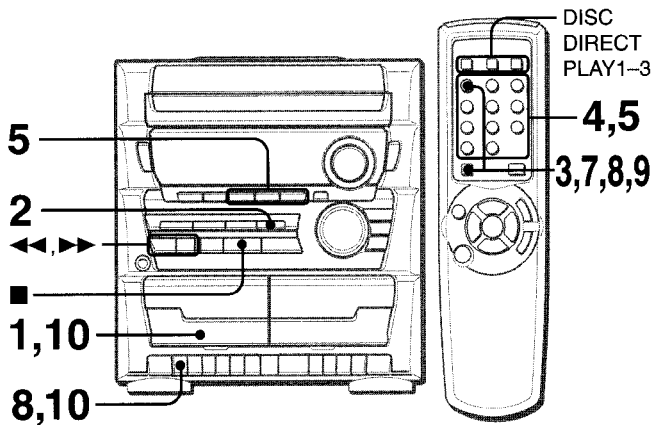
### Time on cassette tapes and editing time

The actual cassette recording time is usually a little longer than the specified recording time printed on the label. This unit can program tracks to use the extra time. When the total recording time is a little longer than the tape's specified recording time after editing, the display shows the extra time (without a minus mark), instead of the time remaining on the tape (with the minus mark).

### NOTE

- Recording is inhibited if the erasure prevention tab for the side of the tape facing out from the unit is broken off.
- The AI edit recording function cannot be used with discs containing 31 tracks or more. "TR OVER" is displayed if this is attempted.

# PROGRAMMED EDIT RECORDING



In the programmed edit recording function the tracks can be programmed while checking the remaining time on each side of the tape as the tracks are programmed.

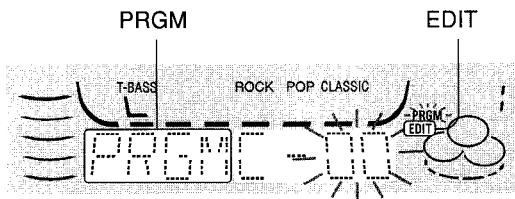
## 1 Insert the tape into Deck 1.

Insert the tape with the side to be recorded on first facing out from the unit, and wind up the tape with ◀◀.

## 2 Press CD and load the disc(s).

## 3 Press CD EDIT/CHECK twice while pressing SHIFT on the remote control.

"EDIT" and "PRGM" are displayed.

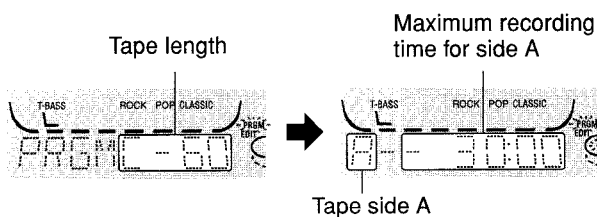


- When "AI" is displayed, press CD EDIT/CHECK while pressing SHIFT again.

## 4 Press numbered buttons on the remote control to designate the tape length.

10 to 99 minutes can be specified.

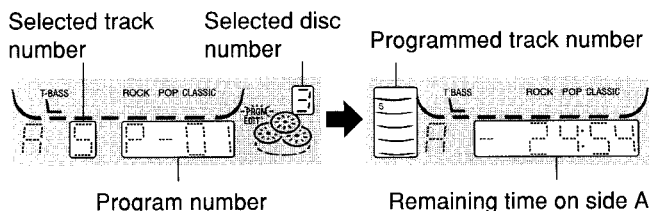
- ◀◀ and ▶▶ are also available to designate the tape length.



## 5 Press one of DISC DIRECT PLAY 1-3 to select a disc.

Then, press numbered buttons 0-9 and +10 on the remote control to program a track.

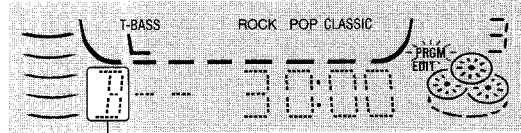
Example: To select the 10th track of disc 2, press DISC DIRECT PLAY 2, then press +10 and 0.



## 6 Repeat step 5 for the rest of the tracks for side A.

A track whose playing time is longer than the remaining time cannot be programmed.

## 7 Press CD EDIT/CHECK while pressing SHIFT on the remote control to select side B and program the tracks for side B.



Tape side B (reverse side)

## 8 Press CD EDIT/CHECK while pressing SHIFT to select side A and press ● on Deck 1.

REC flashes for 10 seconds, and then CD play and recording of edited tracks for the first side start simultaneously. When the end of the tape is reached, Deck 1 enters the recording stop mode. After entering the recording stop mode, go to step 9.

## 9 Press CD EDIT/CHECK while pressing SHIFT on the remote control for recording of the second side.

"B" is displayed.

## 10 Turn over the tape in Deck 1 and press ● to start recording.

Recording starts.

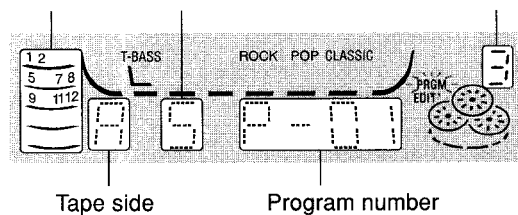
### To stop recording

Press ■/▲ on Deck 1. Recording and CD play stop simultaneously.

### To check the order of the programmed track numbers

Before recording, press CD EDIT/CHECK while pressing SHIFT on the remote control to select side A or B, and press ◀◀ or ▶▶ repeatedly.

Programmed track numbers      Track number      Disc number



### To change the program of each side

Press CD EDIT/CHECK while pressing SHIFT on the remote control to select side A or B, and press ■ CLEAR to clear the program on the selected side. Then program tracks again.

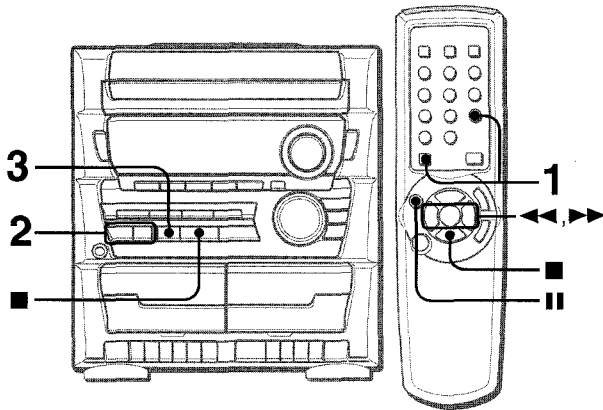
### To clear the edit program

Press ■ CLEAR twice in stop mode so that "EDIT" disappears on the display.

### NOTE

- Recording is inhibited if the erasure prevention tab for the side of the tape facing out from the unit is broken off.
- Up to 30 tracks can be programmed from any of the inserted discs.
- "FULL" is displayed if you attempt to program more than 30 tracks.

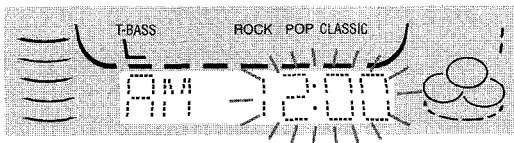
**SETTING THE CLOCK**



When the clock is set, the “:” between the hours and minutes flashes. When the power cord is plugged into an AC outlet for the first time after purchase or when the clock setting is canceled due to a power failure, the entire clock display flashes.

Use the remote control.

- 1 Press CLOCK once while pressing SHIFT on the remote control.**



- 2 Within 4 seconds, press ◀ or ▶ to designate the hour and the minute.**

Holding these buttons down will vary the time rapidly.

- 3 Press ■.**

The clock starts from 00 seconds.

**To view the clock when another display is in the display**  
Press **CLOCK** while pressing **SHIFT**. The time is displayed for 4 seconds and then the original display reappears. However, the clock cannot be displayed during recording.

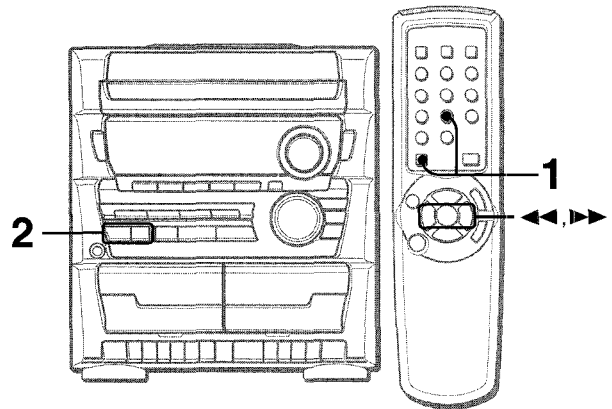
**To switch to the 24-hour standard**

Press **CLOCK** once while pressing **SHIFT** and then press ■ within 4 seconds.  
Repeat the same procedure to restore the 12-hour standard.

**If the clock display flashes**

If the display flashes when the clock is displayed, it indicates that the clock has stopped due to a power failure or the removal of the power cord. The current time needs to be reset.

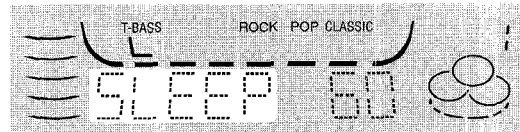
**SETTING THE SLEEP TIMER**



The unit can be turned off automatically at a specified time.

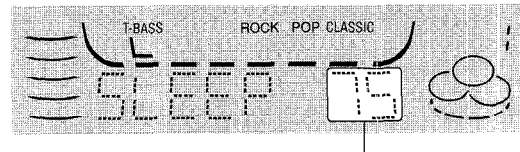
Use the remote control.

- 1 Press SLEEP while pressing SHIFT on the remote control.**



- 2 Within 4 seconds, press ◀ or ▶ to specify the time until the power is turned off.**

The time changes between 5 and 240 minutes in 5-minute steps.



Specified time

While the sleep timer is in operation, the display is dimmer than usual.

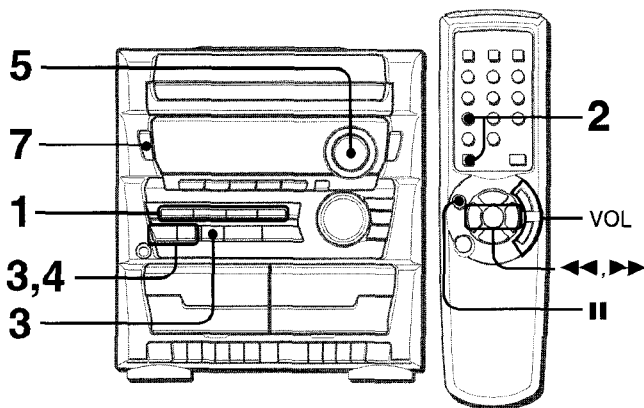
**To check the time remaining until the power is turned off**  
Press **SLEEP** once while pressing **SHIFT**. The remaining time is displayed for 4 seconds.

**To cancel the sleep timer**

Press **SLEEP** twice while pressing **SHIFT** so that “SLEEPoFF” appears on the display.



# SETTING THE TIMER



The unit can be turned on at a specified time every day with the built-in timer.

## Preparation

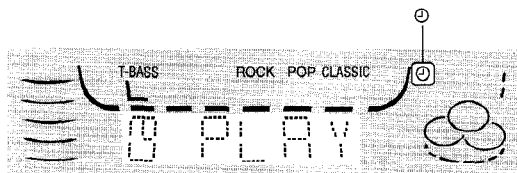
Make sure the clock is set correctly.

### 1 Press one of the function buttons to select a source.

- If **TUNER/BAND** is pressed, the band can be selected in this step.

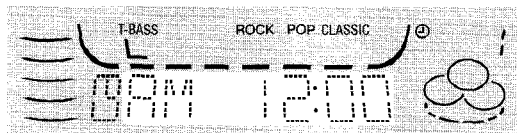
### 2 Press **TIMER** while pressing **SHIFT** on the remote control until ☺ and "▶ PLAY" appear on the display.

Time and audio source name flash alternately.



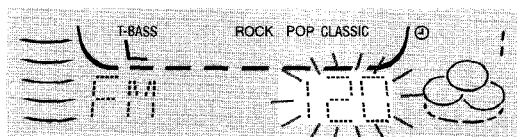
### 3 Within 6 seconds, press ◀◀ or ▶▶ to designate the timer-on time, then press II.

Holding these buttons down will vary the time rapidly.



### 4 Within 4 seconds, press ◀◀ or ▶▶ to select the duration for the timer-activated period.

The duration can be set between 5 and 240 minutes in 5-minute steps.



The duration will be automatically set after 4 seconds. It will also be set if II is pressed within 4 seconds after step 4.

### 5 Adjust the volume.

The source sound will play at the volume level set in this step when the power is turned on by the timer.

If the volume level is set to 17 or higher, however, it will automatically be set to 16 when the power is turned on.

### 6 Prepare the source.

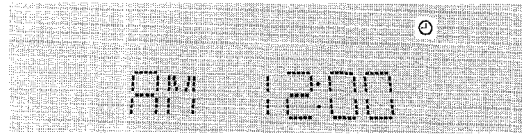
To listen to a CD, load the disc to be played first on tray 1.

To listen to a tape, insert the tape into Deck 1 or 2.

To listen to the radio, tune in to a station.

### 7 Press **POWER** to turn off the power.

☺ remains on the display after the power is turned off (timer standby mode).



### 8 Get ready for the **TAPE** function or the timer recording.

To listen to the tape, press ▶ on Deck 1 or 2.

To record the source, insert the tape into Deck 1 and press ● on Deck 1.

When the timer-on time is reached, the unit turns on and begins play with the selected source.

## NOTE

You can change the source that was selected in step 1 by pressing one of the function buttons before pressing II in step 3.

### The timer recording period and tape length

When the length of the tape to be recorded is shorter than the timer recording period, ● on Deck 1 is released before the timer is off.

When the tape length is longer than the timer recording period, ● is not released. If ● is not released for a long time, the tape in the deck may be damaged. Press ■/▲ to release ●.

### To check the timer setting

Press **TIMER** while pressing **SHIFT**.

The selected source, the timer-on time, and the duration for the timer-activated period will be displayed for 4 seconds.

### To change any of the previous setting

Carry out from step 1.

However, if you do not change the timer-on time, in step 3 just press II twice and continue from step 4.

### To cancel the timer standby mode temporarily

Press **TIMER** while pressing **SHIFT** so that ☺ disappears.

To restore the timer standby mode, press these buttons again to display ☺.

### Using the unit while the timer is set

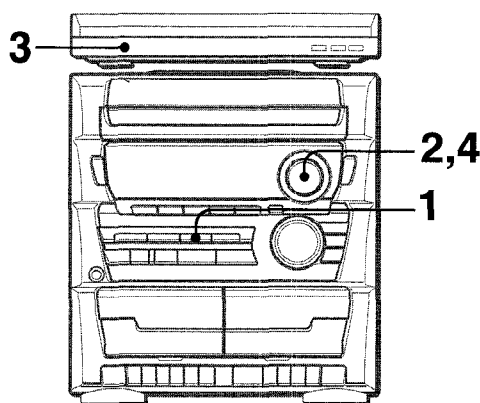
You can use the unit normally after setting the timer.

Before turning off the power, carry out step 5 and 6.

## NOTE

- Timer playback and timer recording will not begin unless the power is turned off.
- Connected equipment cannot be turned on and off by the built-in timer of this unit. Use an external timer.
- While the timer is in operation, the display indication is dimmer than usual.

**BASIC OPERATIONS**



**Preparation**

- Connect the supplied stereo turntable to the main unit. (See page 5)
- Set **EQUALIZER AMP** on the turntable to ON position. (Refer to the operating instructions of the turntable for details.)

**1 Press VIDEO/AUX/PHONO on the main unit.**

"VIDEO" appears on the display.  
The source name on the display can be changed to "PHONO".  
(See "LISTENING TO EXTERNAL SOURCES" on page 19.)

**2 Adjust the volume to minimum.**

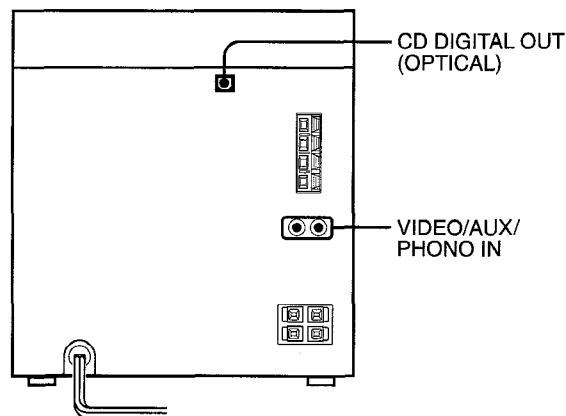
Turn **VOLUME** counterclockwise until "VOL 0" is displayed.

**3 Play the turntable.**

Refer to the operating instructions of the turntable for details.

**4 Adjust the volume according to your preference.**

**CONNECTING OPTIONAL EQUIPMENT**



Refer to the operating instructions of the connected equipment for details.

- The connecting cords are not supplied. Obtain the necessary connecting cords.
- Consult your local Aiwa dealer for optional equipment.

**VIDEO/AUX/PHONO IN JACKS**

This unit can input analog sound signals through these jacks. Use a cable with RCA phono plugs to connect audio equipment (LD players, MD players, VCRs, TV, etc.). Connect the red plug to **VIDEO/AUX/PHONO IN R** jack, and the white plug to **VIDEO/AUX/PHONO IN L** jack.

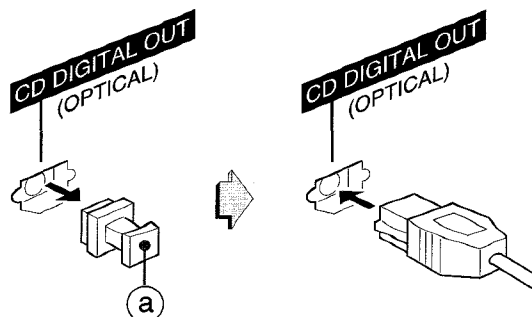
**When connecting a turntable**

Use an Aiwa turntable equipped with a built-in equalizer amplifier.

**CD DIGITAL OUT (OPTICAL) JACK**

This unit can output CD digital sound signals through this jack. Use an optical cable to connect digital audio equipment (DAT deck, MD recorder, etc.).

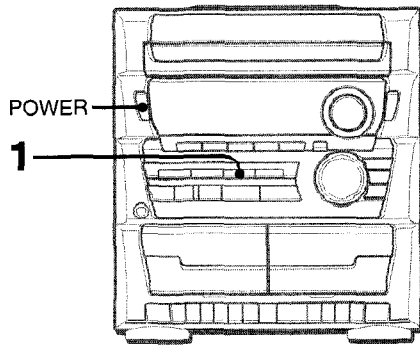
Remove the dust cap (a) from the **CD DIGITAL OUT (OPTICAL)** jack. Then, connect an optical cable plug to the **CD DIGITAL OUT (OPTICAL)** jack.



**When the CD DIGITAL OUT (OPTICAL) jack is not being used**

Attach the supplied dust cap.

## LISTENING TO EXTERNAL SOURCES



To play equipment connected to **VIDEO/AUX/PHONO IN** jacks proceed as follows.

**1 Press VIDEO/AUX/PHONO.**

"VIDEO" appears on the display.

**2 Play the connected equipment.**

**To change a source name on the display**

When **VIDEO/AUX/PHONO** is pressed, "VIDEO" is displayed initially. It can be changed to "AUX," "TV" or "PHONO."

With the power on, press **POWER** while pressing **VIDEO/AUX/PHONO**.

Repeat the procedure to select one of the names.

## CARE AND MAINTENANCE

Occasional care and maintenance of the unit and the software are needed to optimize the performance of your unit.

**To clean the cabinet**

Use a soft and dry cloth.

If the surfaces are extremely dirty, use a soft cloth lightly moistened with mild detergent solution. Do not use strong solvents, such as alcohol, benzine or thinner as these could damage the finish of the unit.

**To clean the tape heads**

When the tape heads are dirty;

- high frequency sound is not emitted
- the sound is not adequately high
- the sound is off-balance
- the tape cannot be erased
- the tape cannot be recorded on

After every 10 hours of use, clean the tape heads with a head cleaning cassette.

Refer to the instructions of the cleaning cassette for details.

**To demagnetize the tape heads**

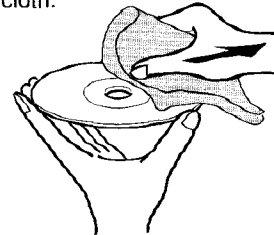
The tape heads may become magnetized after long-term use. This may narrow the output range of recorded tapes and increase noise.

After every 20 to 30 hours of use, demagnetize the tape heads with a separately sold demagnetizing cassette.

Refer to the instructions of the demagnetizing cassette for details.

**Care of discs**

- When a disc becomes dirty, wipe the disc from the center out with a cleaning cloth.



- After playing a disc, store the disc in its case. Do not leave the disc in places that are hot or humid.

**Care of tapes**

- Store tapes in their cases after use.
- Do not leave tapes near magnets, motors, television sets, or any source of magnetism. This will downgrade the sound quality and cause noise.
- Do not expose tapes to direct sunlight, or leave them in a car parked in direct sunlight.

## TROUBLESHOOTING GUIDE

If the unit fails to perform as described in these Operating Instructions, check the following guide.

### GENERAL

#### There is no sound.

- Is the AC cord connected properly?
- Is there a bad connection? (→ pages 4, 5)
- There may be a short circuit in the speaker terminals.  
→ Disconnect the AC cord, then correct the speaker connections.
- Was an incorrect function button pressed?

#### Sound is emitted from one speaker only.

- Is the other speaker disconnected?

#### An erroneous display or a malfunction occurs.

- Reset the unit as stated below.

### TUNER SECTION

#### There is constant, wave-like static.

- Is the antenna connected properly? (→ pages 4, 5)
- Is the signal weak?  
→ Connect an outdoor antenna.

#### The reception contains noise interferences or the sound is distorted.

- Is the system picking up external noise or multipath distortion?  
→ Change the orientation of the antenna.  
→ Move the unit away from other electrical appliances.

### CASSETTE DECK SECTION

#### The tape does not run.

- Is the deck in pause mode? (→ page 10)

#### The sound is off-balance or not adequately high.

- Is the playback head dirty? (→ page 19)

#### Recording is not possible.

- Is the erasure prevention tab on the tape broken off? (→ page 13)
- Is the recording head dirty? (→ page 19)

#### Erasure is not possible.

- Is the erasure head dirty? (→ page 19)
- Is a metal tape being used?

#### High frequency sound is not emitted.

- Is the recording/playback head dirty? (→ page 19)

### CD PLAYER SECTION

#### The CD player does not play.

- Is the disc correctly placed? (→ page 10)
- Is the disc dirty? (→ page 19)
- Is the lens affected by condensation?  
→ Wait approximately one hour and try again.

### To reset

If an unusual condition occurs in the display window or the cassette decks, reset the unit as follows.

- 1 Press **POWER** to turn off the power.
- 2 Press **POWER** to turn the power back on while pressing **■CLEAR**. Everything stored in memory after purchase is canceled.

If the power cannot be turned off in step 1 because of a malfunction, reset by disconnecting the AC cord, and connect it again. Then carry out step 2.

## SPECIFICATIONS

### Main unit CX-ZL10

#### FM tuner section

Tuning range	87.5 MHz to 108 MHz
Usable sensitivity (IHF)	13.2 dBf
Antenna terminals	75 ohms (unbalanced)

#### AM tuner section

Tuning range	530 kHz to 1710 kHz (10 kHz step) 531 kHz to 1602 kHz (9 kHz step)
Usable sensitivity	350 µV/m
Antenna	Loop antenna

#### Amplifier section

Power output	10 W + 10 W (50 Hz – 20 kHz, THD less than 1 %, 6 ohms) 15 W + 15 W (1 kHz, THD less than 10 %, 6 ohms)
--------------	--

Total harmonic distortion	0.1 % (6 W, 1 kHz, 6 ohms, DIN AUDIO)
---------------------------	---------------------------------------

#### Inputs

#### Outputs

VIDEO/AUX/PHONO IN: 500 mV  
CD DIGITAL OUT (OPTICAL)  
SPEAKERS: accept speakers of 6 ohms or more  
PHONES (stereo jack): accepts headphones of 32 ohms or more

#### Cassette deck section

Track format	4 tracks, 2 channels stereo
Frequency response	50 Hz – 10000 Hz
Recording system	AC bias
Heads	Deck 1: Recording/playback head × 1, erase head × 1 Deck 2: Playback head × 1

#### Compact disc player section

Laser	Semiconductor laser ( $\lambda = 780 \text{ nm}$ )
D-A converter	1 bit dual
Signal-to-noise ratio	85 dB (1 kHz, 0 dB)
Harmonic distortion	0.05 % (1 kHz, 0 dB)
Wow and flutter	Unmeasurable

#### General

Power requirements	120 V AC, 60 Hz
Power consumption	40 W
Dimensions of main unit (W × H × D)	360 × 394.5 × 350 mm (14 <sup>1</sup> / <sub>4</sub> × 15 <sup>5</sup> / <sub>8</sub> × 13 <sup>7</sup> / <sub>8</sub> in.)
Weight of main unit	5.9 kg (13 lbs)

### Speaker system SX-ZL10

Cabinet type	2 way, bass reflex
Speakers	Woofer: 130 mm (5 <sup>1</sup> / <sub>8</sub> in.) cone type Super tweeter: 20 mm (1 <sup>3</sup> / <sub>16</sub> in.) ceramic type
Impedance	6 ohms
Output sound pressure level	87 dB/W/m
Dimensions (W × H × D)	260 × 444 × 215 mm (10 <sup>1</sup> / <sub>4</sub> × 17 <sup>1</sup> / <sub>2</sub> × 8 <sup>1</sup> / <sub>2</sub> in.)
Weight	3.5 kg (7 lbs 12 oz.)

Specifications and external appearance are subject to change without notice.

**COPYRIGHT**

Please check the laws on copyright relating to recordings from discs, radio or external tape for the country in which the machine is being used.

**NOTE**

This equipment has been tested and found to comply with the limits for a Class B digital device, pursuant to Part 15 of the FCC Rules. These limits are designed to provide reasonable protection against harmful interference in a residential installation.

This equipment generates, uses, and can radiate radio frequency energy and, if not installed and used in accordance with the instructions, may cause harmful interference to radio communications. However, there is no guarantee that interference will not occur in a particular installation. If this equipment does cause harmful interference to radio or television reception, which can be determined by turning the equipment off and on, the user is encouraged to try to correct the interference by one or more of the following measures:

- Reorient or relocate the receiving antenna.
- Increase the separation between the equipment and receiver.
- Connect the equipment into an outlet on circuit different from that to which the receiver is connected.
- Consult the dealer or an experienced radio/TV technician for help.

**CAUTION**

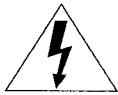
Modifications or adjustments to this product, which are not expressly approved by the manufacturer, may void the user's right or authority to operate this product.

## ADVERTENCIA

PARA REDUCIR EL RIESGO DE INCENDIOS O SACUDIDAS ELECTRICAS, NO EXPONGA ESTE APARATO A LA LLUVIA NI A LA HUMEDAD.



Explicación de los símbolos gráficos:



El símbolo del rayo con punta de flecha, en el interior de un triángulo equilátero, tiene la finalidad de avisar al usuario de la presencia de "tensiones peligrosas" sin aislar en el interior del producto que podrían ser de suficiente magnitud como para constituir un riesgo de sacudida eléctrica para las personas.



El signo de exclamación en el interior de un triángulo equilátero tiene la finalidad de avisar al usuario de la presencia de instrucciones de operación y mantenimiento (reparación) en el material impreso

## PRECAUCIONES

Lea cuidadosa y completamente el manual de instrucciones antes de utilizar la unidad. Asegúrese de guardar el manual de instrucciones para utilizarlo como referencia en el futuro. Todas las advertencias y precauciones del manual de instrucciones y de la unidad deberán cumplirse estrictamente, así como también las sugerencias de seguridad mencionadas más abajo.

### Instalación

- 1 Agua y humedad** — No utilice esta unidad cerca del agua como, por ejemplo, cerca de una bañera, una palangana, una piscina o algo similar.
- 2 Calor** — No utilice esta unidad cerca de fuentes de calor, incluyendo salidas de aire caliente, estufas u otros aparatos que generen calor. Tampoco deberá someterse a temperaturas inferiores a 5°C ni superiores a 35°C.
- 3 Superficie de montaje** — Ponga la unidad sobre una superficie plana y nivelada.
- 4 Ventilación** — La unidad deberá situarse donde tenga suficiente espacio libre a su alrededor, para que la ventilación apropiada quede asegurada. Deje un espacio libre de 10 cm por la parte posterior y superior de la unidad, y 5 cm por cada lado.
  - No ponga la unidad sobre una cama, una alfombra o superficies similares que podrían tapar las aberturas de ventilación.
  - No instale la unidad en una librería, mueble o estantería cerrada herméticamente donde la ventilación no sea adecuada.
- 5 Entrada de objetos y líquidos** — Tenga cuidado de que pequeños objetos y líquidos no entren en la unidad por las aberturas de ventilación.
- 6 Carros de mano y soportes** — Cuando ponga o monte la unidad en un soporte o carro de mano, ésta deberá moverse con mucho cuidado. Las paradas repentinas, la fuerza excesiva y las superficies irregulares pueden hacer que la unidad o el carro de mano se dé vuelta o se caiga.



- 7 Condensación** — En la lente del fonocaptor del reproductor de discos compactos tal vez se forme condensación cuando:
  - La unidad se pase de un lugar frío a uno caliente.
  - El sistema de calefacción se acabe de encender.
  - La unidad se utilice en una habitación muy húmeda.
  - La unidad se enfríe mediante un acondicionador de aire.
 Esta unidad tal vez funcione mal cuando tenga condensación en su interior. En este caso, deje en reposo la unidad durante unas pocas horas y repita de nuevo la operación.
- 8 Montaje en pared o techo** — La unidad no se deberá montar en una pared ni en el techo, a menos que se especifique lo contrario en el manual de instrucciones.

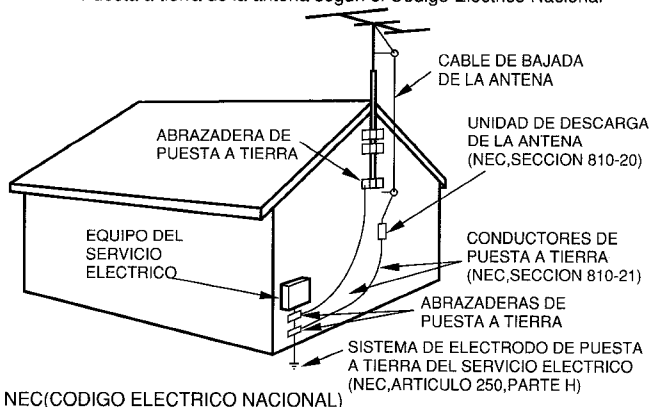
### Energía eléctrica

- 1 Fuentes de alimentación** — Conecte solamente esta unidad a las fuentes de alimentación especificadas en el manual de instrucciones, y como está marcado en la unidad.
- 2 Polarización** — Como medida de seguridad, algunas unidades disponen de enchufes de alimentación de CA polarizados que solamente podrán insertarse de una forma en el tomacorriente de la red. Si es difícil o imposible insertar el enchufe de alimentación de CA en un tomacorriente de la red, dele la vuelta e inténtelo de nuevo. Si sigue sin poder insertarse bien, llame a un técnico de servicio cualificado para que reemplace el tomacorriente. Para evitar anular la función de seguridad del enchufe polarizado, no lo inserte a la fuerza en un tomacorriente.
- 3 Cable de alimentación de CA**
  - Cuando desconecte el cable de alimentación de CA, sujete la clavija de alimentación de CA y tire de ella. No tire del propio cable.
  - Nunca maneje la clavija de alimentación de CA con las manos mojadas porque podría producirse un incendio o una sacudida eléctrica.
  - Los cables de alimentación deberán colocarse de forma que no queden muy doblados, pillados, y que nadie pueda pisarlos. Preste especial atención al cable de la unidad principal al tomacorriente de CA.
  - Evite sobrecargar las tomas de CA y los cables de extensión más allá de su capacidad porque esto podría causar un incendio o una sacudida eléctrica.
- 4 Cable prolongador** — Para evitar descargas eléctricas, no utilice el enchufe de alimentación de CA polarizado con un cable prolongador ni tomacorriente a menos que el enchufe pueda insertarse completamente a fin de evitar que sus cuchillas queden al descubierto.
- 5 Períodos de no utilización** — Desenchufe el cable de alimentación de CA de la toma de CA si la unidad no va a ser utilizada durante varios meses o más. Cuando el cable de alimentación esté conectado, por la unidad continuará circulando una pequeña cantidad de corriente, aunque la alimentación esté desconectada.

### Antena exterior

- 1 Líneas eléctricas** — Cuando conecte una antena exterior, cerciórese de que esté alejada de las líneas eléctricas.
- 2 Puesta a tierra de la antena exterior** — Cerciórese de que el sistema de antena esté adecuadamente puesto a tierra como medida de protección contra sobretensiones inesperadas o la generación de electrostática. El artículo 810 del código National Electric Code, ANSI/NFPA 70 proporciona información sobre la puesta a tierra adecuada del mástil, la estructura de soporte, y la acometida a la unidad de descarga de la antena, así como sobre el tamaño de la unidad de puesta a tierra, la conexión de los terminales de puesta a tierra, y los requisitos de puesta a tierra de los propios terminales.

Puesta a tierra de la antena según el Código Eléctrico Nacional



NEC(CODIGO ELECTRICO NACIONAL)

## Mantenimiento

Limpie la unidad sólo como se recomienda en el manual de instrucciones.

## Daños que necesitan ser reparados

Haga que un técnico en reparaciones cualificado le repare las unidades si:

- El cable de alimentación de CA o su clavija está estropeado.
- Objetos extraños o líquidos han entrado en la unidad.
- La unidad ha estado expuesta a la lluvia o al agua.
- La unidad no parece funcionar normalmente.
- La unidad muestra un cambio considerable en sus prestaciones.
- La unidad se ha caído o la caja se ha estropeado.

**NO TRATE DE REPARAR LA UNIDAD USTED MISMO.**

## Compruebe su sistema y los accesorios

### Z-L10

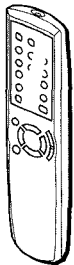
- CX-ZL10 Sintonizador, amplificador, platina de cassette y reproductor de discos compactos estéreo  
SX-ZL10 Altavoces delanteros

### Z-L11

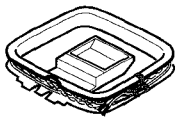
- CX-ZL10 Sintonizador, amplificador, platina de cassette y reproductor de discos compactos estéreo  
SX-ZL10 Altavoces delanteros  
PX-E860 Plato giradiscos estéreo

### Común

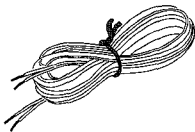
Control remoto



Antena de AM



Antena de FM



Manual de instrucciones, etc.

## Anotación del propietario

Para su conveniencia, anote el número de modelo y el número de serie (los encontrará en el panel trasero de su aparato) en el espacio suministrado más abajo. Menciónelos cuando se ponga en contacto con su concesionario Aiwa en caso de tener dificultades.

N.º de modelo	N.º de serie (N.º de lote)
CX-ZL10	
SX-ZL10	
PX-E860 (Z-L11 solamente)	

# INDICE

## PREPARATIVOS

CONEXIONES (PARA EL Z-L10) .....	4
CONEXIONES (PARA EL Z-L11) .....	5
CONTROL REMOTO .....	6
ANTES DE LA OPERACION .....	7

## SONIDO

AJUSTES DE AUDIO .....	8
ECUALIZADOR GRAFICO .....	8

## RECEPCION DE LA RADIO

SINTONIZACION MANUAL .....	9
PREAJUSTE DE EMISORAS .....	9

## REPRODUCCION DE CINTAS

OPERACIONES BASICAS .....	10
---------------------------	----

## REPRODUCCION DE DISCOS COMPACTOS

OPERACIONES BASICAS .....	10
REPRODUCCION PROGRAMADA .....	12

## GRABACION

GRABACION BASICA .....	13
GRABACION CON EDICION AI .....	14
GRABACION CON EDICION PROGRAMADA .....	15

## RELOJ Y TEMPORIZADOR

PUESTA EN HORA DEL RELOJ .....	16
AJUSTE DEL TEMPORIZADOR PARA DORMIR .....	16
AJUSTE DEL TEMPORIZADOR .....	17

## PLATO GIRADISCOS

OPERACION BASICA .....	18
------------------------	----

## OTRAS CONEXIONES

CONEXION DE UN EQUIPO OPCIONAL .....	18
ESCUCHA DE FUENTES DE SONIDO EXTERNAS .....	19

## GENERALIDADES

CUIDADOS Y MANTENIMIENTO .....	19
GUIA PARA LA SOLUCION DE PROBLEMAS .....	20
ESPECIFICACIONES .....	20

INDICE DE LAS PARTES .....	Cubierta trasera
----------------------------	------------------

**CONEXIONES (PARA EL Z-L10)**

**IMPORTANTE**

Conecte primero los altavoces, las antenas y todos los demás equipos opcionales. Finalmente conecte el cable de alimentación de CA.

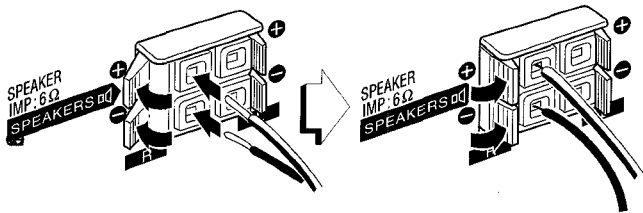
No hay diferencias entre los altavoces delanteros. Los dos pueden conectarse como L (izquierdo) o R (derecho).

**Antes de conectar el cable de CA**

El voltaje nominal de la unidad, mostrado en el panel trasero, es 120 V CA. Compruebe si la tensión nominal mostrada en el panel trasero concuerda con la tensión de su localidad.

**1 Conecte los altavoces derecho e izquierdo a la unidad principal.**

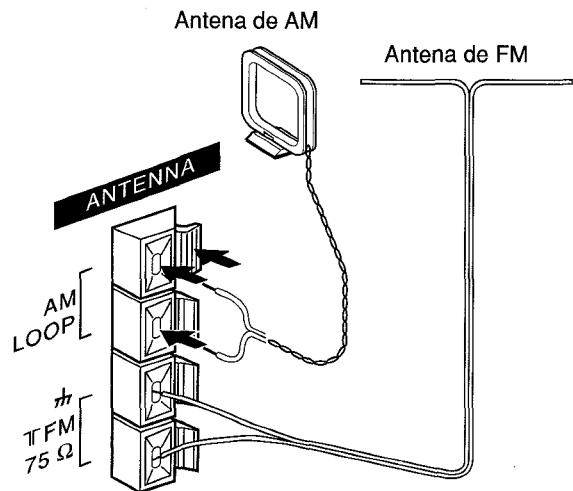
Conecte el cable del altavoz derecho a los terminales **SPEAKERS R**, y el cable del altavoz izquierdo a los terminales **SPEAKERS L**.



El cable de altavoz con la franja blanca deberá conectarse al terminal **+**, y el cable negro al terminal **-**.

**2 Conecte las antenas suministradas.**

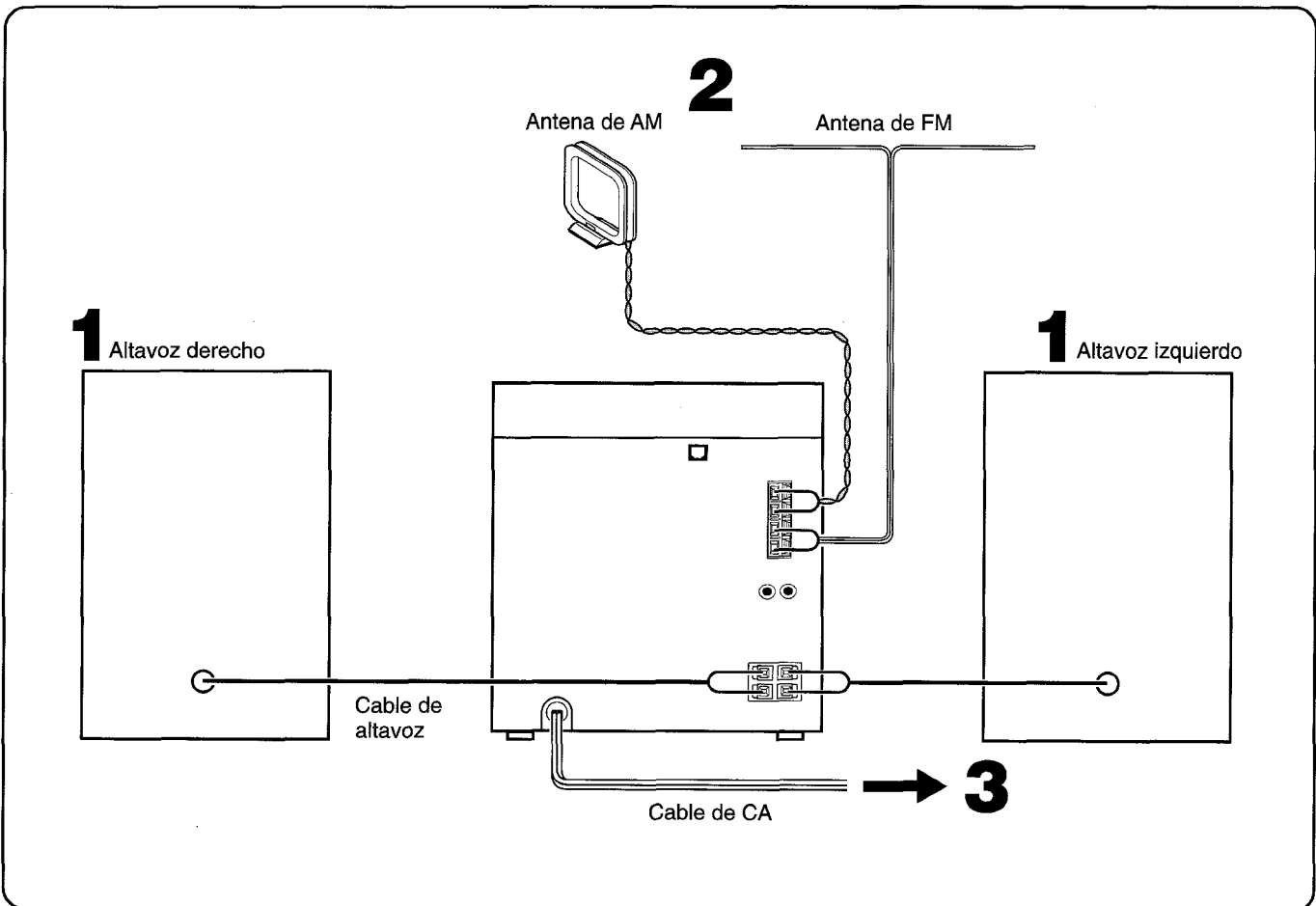
Conecte la antena de FM a los terminales **FM 75 Ω**, y la antena de AM a los terminales **AM LOOP**.



**3 Conecte el cable de alimentación de CA a una toma de CA.**

• La demostración del juego empezará cuando el cable de CA se enchufe en una toma de CA. Consulte la página 7 "Demostración del juego" para obtener más detalles.

*Continúa en la página 6.*





# CONEXIONES (PARA EL Z-L11)

## IMPORTANTE

Conecte primero los altavoces, las antenas y todos los demás equipos opcionales. Finalmente conecte el cable de alimentación de CA.

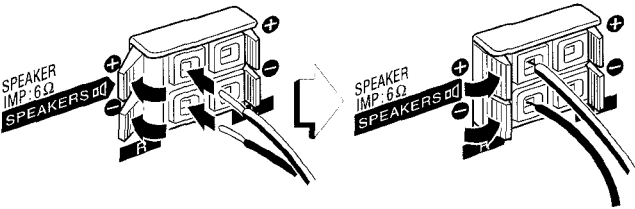
No hay diferencias entre los altavoces delanteros. Los dos pueden conectarse como L (izquierdo) o R (derecho).

### Antes de conectar el cable de CA

El voltaje nominal de la unidad, mostrado en el panel trasero, es 120 V CA. Compruebe si la tensión nominal mostrada en el panel trasero concuerda con la tensión de su localidad.

## 1 Conecte los altavoces derecho e izquierdo a la unidad principal.

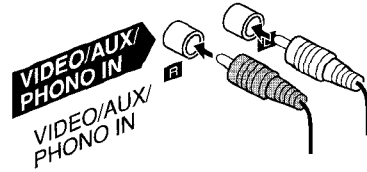
Conecte el cable del altavoz derecho a los terminales **SPEAKERS R**, y el cable del altavoz izquierdo a los terminales **SPEAKERS L**.



El cable de altavoz con la franja blanca deberá conectarse al terminal **+**, y el cable negro al terminal **-**.

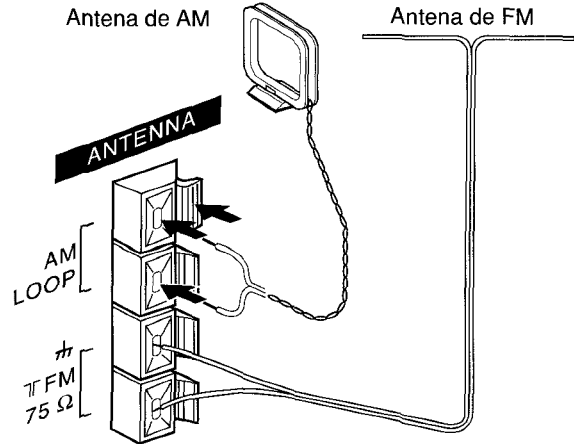
## 2 Conecte el plato giradiscos estéreo a la unidad principal.

Conecte el enchufe rojo a la toma **VIDEO/AUX/PHONO IN R**, y el blanco a la toma **VIDEO/AUX/PHONO IN L**.



## 3 Conecte las antenas suministradas.

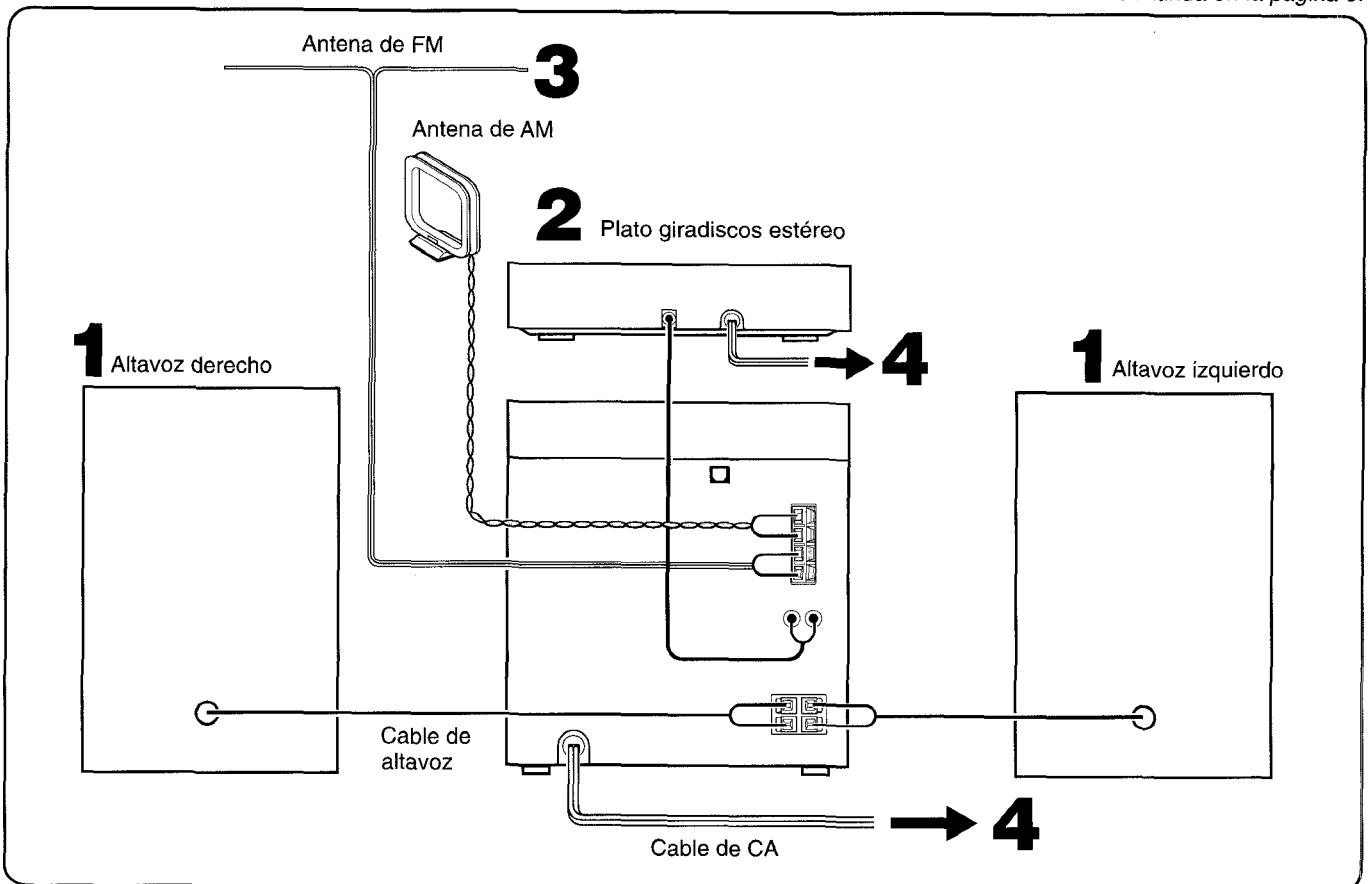
Conecte la antena de FM a los terminales **FM 75 Ω**, y la antena de AM a los terminales **AM LOOP**.



## 4 Conecte el cable de alimentación de CA a una toma de CA.

• La demostración del juego empezará cuando el cable de CA se enchufe en una toma de CA. Consulte la página 7 "Demostración del juego" para obtener más detalles.

Continúa en la página 6.



## Para posicionar las antenas

### Antena de FM:

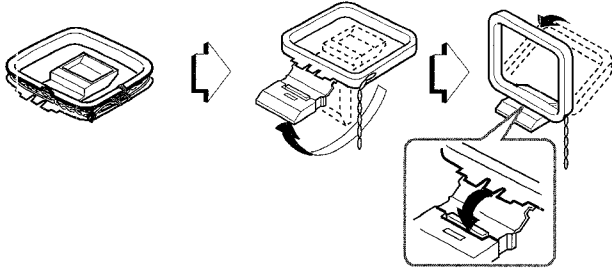
Extienda horizontalmente esta antena formando una T y fije sus extremos en la pared.

### Antena de AM:

Póngala para obtener la mejor recepción.

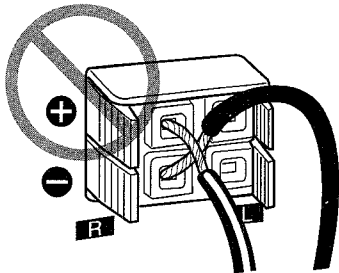
### Para poner la antena de AM en posición vertical sobre una superficie

Fije el gancho en la ranura.



### NOTA

- Asegúrese de conectar correctamente los cables de los altavoces. Las conexiones mal hechas podrían causar cortocircuitos en los terminales **SPEAKERS**.

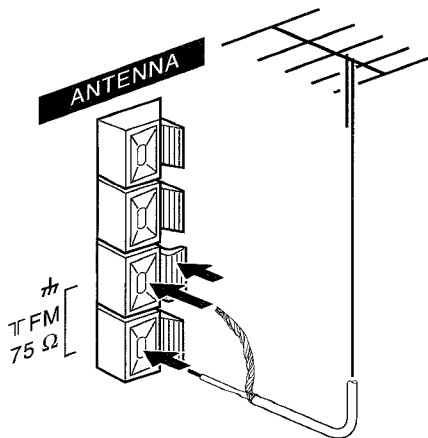


- No deje objetos que generen magnetismo, tales como tarjetas de crédito, cerca de los altavoces porque podrían estropearse.
- No ponga la antena de FM cerca de objetos metálicos o rieles de cortinas.
- No ponga la antena de AM cerca de equipos opcionales, el propio sistema estéreo, el cable de alimentación de CA o los cables de los altavoces, porque se captarán ruidos.
- No desbobine el cable de la antena de AM.

## CONEXION DE UNA ANTENA EXTERIOR

Para obtener la mejor recepción de FM se recomienda utilizar una antena exterior.

Conecte la antena exterior a los terminales **FM 75 Ω**.

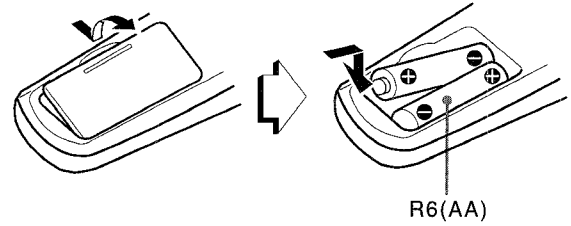


Para conectar otro equipo opcional → página 18.

## CONTROL REMOTO

### Inserción de las pilas

Quite la tapa de las pilas, ubicada en la parte trasera del control remoto, e inserte dos pilas R6 (tamaño AA).



### Cuándo reemplazar las pilas

La distancia máxima de operación entre el control remoto y el sensor de señales de la unidad principal deberá ser de 5 metros aproximadamente. Cuando disminuya esta distancia, reemplace las pilas por otras nuevas.

### Para utilizar SHIFT del control remoto

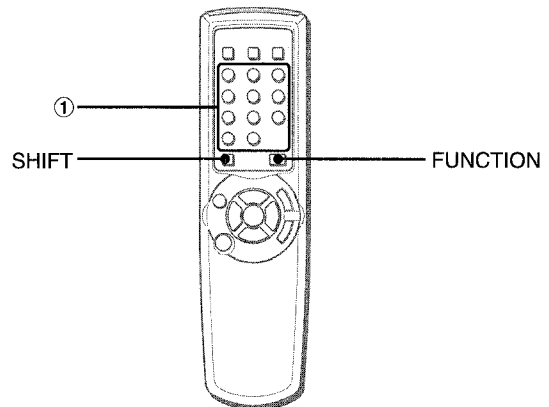
Los botones ① tienen dos funciones diferentes. Una de estas funciones se indica en el botón, y la otra en la placa situada encima del botón.

Para utilizar la función del botón, pulse simplemente el botón. Para utilizar la función de la placa situada encima del botón, pulse el botón mientras pulsa **SHIFT**.

### Para utilizar FUNCTION del control remoto

**FUNCTION** sustituye a los botones de función (**TAPE, TUNER/BAND, VIDEO/AUX/PHONO, CD**) de la unidad principal.

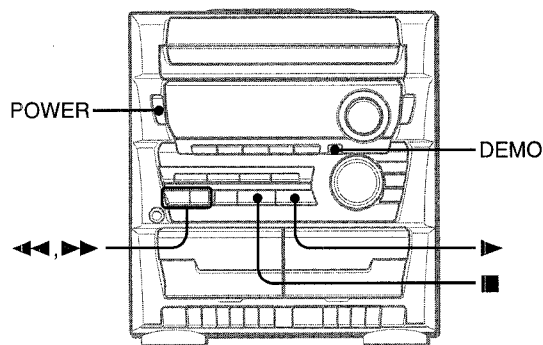
Cada vez que se pulse **FUNCTION**, la siguiente función se seleccionará cíclicamente.



### NOTA

- Si el control remoto no va a ser utilizado durante mucho tiempo, quite las pilas para evitar las posibles fugas de electrolito.
- El control remoto quizá no funcione correctamente cuando:
  - La línea de visión entre el control remoto y el sensor de señales del interior del visualizador esté expuesta a una luz intensa como, por ejemplo, la luz del sol.
  - Otros controles remotos (los de un televisor, etc.) estén siendo utilizados cerca de esta unidad.

## ANTES DE LA OPERACION



### Para encender la unidad

Pulse uno de los botones de función (**TAPE, TUNER/BAND, VIDEO/AUX/PHONO, CD**). La reproducción del disco insertado empezará o se recibirá la emisora previamente sintonizada (función de reproducción directa). También podrá utilizarse **POWER**.

### NOTA

Cuando se encienda la unidad, el compartimiento de los discos tal vez se abra y se cierre para reponer la unidad.

### Para desconectar la alimentación

Pulse **POWER**.

## Demostración del juego

Cuando el cable de alimentación de CA se conecte a una toma de CA por primera vez después de haber adquirido el aparato, la demostración del juego empezará en el visualizador. Cuando se conecte la alimentación, la demostración del juego terminará. Cuando se desconecte la alimentación, la demostración del juego empezará de nuevo.

Hasta que se ponga la hora en el reloj, la demostración del juego empezará siempre que se desconecte la alimentación.

Cuando la hora esté puesta en el reloj, la demostración del juego no empezará aunque se desconecte la alimentación. (Consulte "PUESTA EN HORA DEL RELOJ" de la página 16.)

### Para iniciar o finalizar la demostración del juego cuando esté puesta la hora en el reloj.

Pulse **DEMO** cuando la alimentación esté desconectada; la demostración del juego empezará.

Para finalizar la demostración del juego, pulse de nuevo **DEMO**.

### Para jugar con la demostración del juego

**1 Pulse DEMO para que se visualice la demostración del juego.**

**2 Pulse ►.**

En el visualizador empiezan a moverse tres números.

**3 Pulse ■ una vez.**

El número de la izquierda se para.

**4 Pulse dos veces ■ para detener los dos números restantes.**

*Puntuación:*

Al empezar el juego dispondrá de 20 puntos.

Si todos los números son iguales se añadirán 50 puntos a la puntuación.

Si no son iguales se le restará un punto.

Si los puntos ganados llegan a 9999, usted gana.

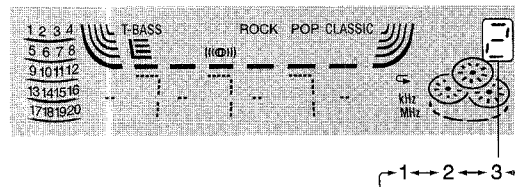
Si los puntos llegan a 0, usted pierde.

### Para reponer la demostración del juego

Pulse dos veces **DEMO** y luego pulse ►. El juego empieza de nuevo.

### Para cambiar las probabilidades de igualación de los tres números

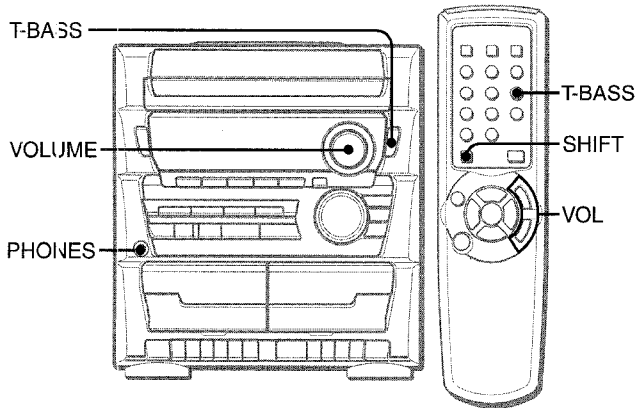
Pulse repetidamente ◀◀ o ▶▶ para seleccionar uno de los tres niveles de probabilidad cuando juegue con la demostración del juego. El indicador del número de bandeja cambia en el visualizador entre 1 y 3. Al aumentar el número de la bandeja (de 1 a 3), más alta será la probabilidad de la igualación.



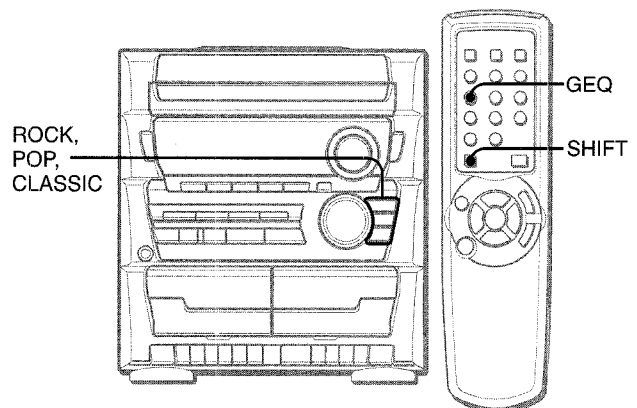
### NOTA

- Mientras juega con la demostración del juego, ■, ◀◀, ▶▶ y ► sólo se encuentran disponibles para la demostración del juego. Cancele la demostración del juego para utilizar estos botones en funciones tales como la reproducción de un disco compacto, etc.
- Durante la demostración del juego, algunos indicadores no relacionados con la operación actual se encienden en el visualizador.

## AJUSTES DE AUDIO



## ECUALIZADOR GRAFICO



### CONTROL DE VOLUMEN

**Gire VOLUME de la unidad principal o pulse VOL del control remoto.**

El nivel de sonido se visualizará mediante un número del 00 al 31 (MAX).

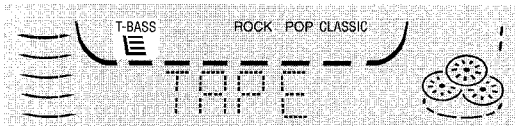
El nivel de sonido se ajustará automáticamente a 16 cuando se desconecta la alimentación estando el nivel ajustado en 17 o más.

### SISTEMA SUPER T-BASS

El sistema T-BASS realza el realismo del sonido de baja frecuencia.

**Pulse T-BASS.**

Cada vez que lo pulse, el nivel cambiará. Seleccione uno de los tres niveles o la posición de apagado, lo que usted prefiera.



**Para seleccionar con el control remoto**  
Pulse **T-BASS** mientras pulsa **SHIFT**.

**NOTA**

El sonido de baja frecuencia tal vez se distorsione cuando se utilice el sistema T-BASS con un disco o una cinta cuyo sonido de baja frecuencia haya sido realzado originalmente. En este caso, cancele el sistema T-BASS.

### Utilización de auriculares

Conecte auriculares con clavija estéreo estándar (6,3 mm ø) a la toma **PHONES**.

Mientras los auriculares estén conectados no saldrá sonido de los altavoces.

### Ajuste del sonido durante la grabación

El volumen de salida y el tono de los altavoces o de los auriculares podrá cambiarse libremente sin afectar en absoluto a la grabación.

Esta unidad ofrece las tres curvas de ecualización diferentes siguientes:

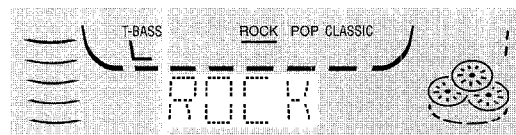
**ROCK:** Sonido potente que realza los agudos y los graves.

**POP:** Más presencia en las voces y en la gama de registro medio.

**CLASSIC:** Sonido enriquecido con graves profundos y agudos finos.

**Pulse uno de los botones del ecualizador gráfico (ROCK, POP, CLASSIC).**

El modo de ecualizador seleccionado aparecerá en el visualizador.

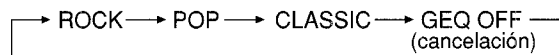


**Para cancelar el modo seleccionado**

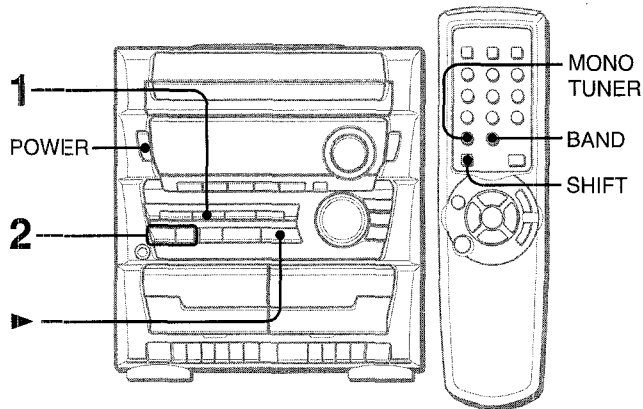
Vuelva a pulsar el botón seleccionado. En el visualizador aparecerá "GEQ OFF".

**Para seleccionar con el control remoto**

Pulse repetidamente **GEQ** mientras pulsa **SHIFT**. El modo GEQ se visualizará cíclicamente de la siguiente manera.



**SINTONIZACION MANUAL**



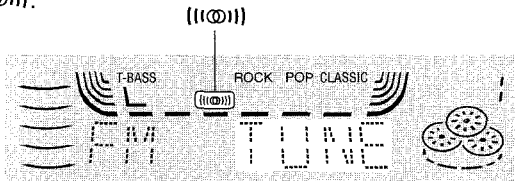
**1 Pulse TUNER/BAND para seleccionar la banda de FM o de AM.**

Cuando pulse **TUNER/BAND** con la alimentación desconectada, la alimentación se conectará directamente (función de reproducción directa).

**Para seleccionar una banda con el control remoto**  
Pulse **BAND** mientras pulsa **SHIFT**.

**2 Pulse ◀◀DOWN o ▶▶UP para seleccionar una emisora.**

Cada vez que pulse el botón, la frecuencia cambiará. Cuando se reciba una emisora, "TUNE" se visualizará durante 2 segundos. Durante la recepción estéreo por FM se visualizará ((◁▷)).



**Para buscar rápidamente una emisora (búsqueda automática)**

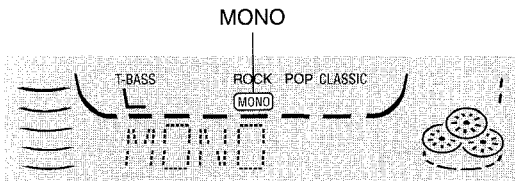
Mantenga pulsado **◀◀DOWN o ▶▶UP** hasta que la frecuencia empiece a cambiar rápidamente. Después de sintonizar una emisora, la búsqueda parará.

Para detener manualmente la búsqueda automática, pulse **◀◀DOWN o ▶▶UP**.

- La búsqueda automática quizá no pare en emisoras cuyas señales sean muy débiles.

**Cuando una radiodifusión estéreo por FM tenga ruido**

Pulse **MONO TUNER** del control remoto mientras pulsa **SHIFT** para que "MONO" aparezca en el visualizador. El ruido se reducirá, pero la recepción será mono.



Para reponer la recepción estéreo, pulse **MONO TUNER** mientras pulsa **SHIFT** para que aparezca "STEREO".

**Para cambiar el intervalo de sintonización de AM**

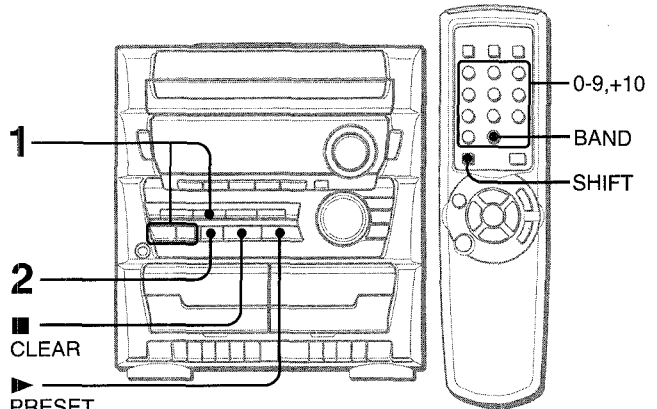
El ajuste por omisión del intervalo de sintonización de AM es de 10 kHz/paso. Si utiliza esta unidad en una zona donde el sistema de asignación de frecuencias sea de 9 kHz/paso, cambie el intervalo de sintonización.

Pulse **POWER** mientras pulsa ▶ en la unidad principal. Para reponer el intervalo, repita este procedimiento.

**NOTA**

Cuando se cambie el intervalo de sintonización de AM, todas las emisoras preajustadas se borrarán. Las emisoras preajustadas tendrán que ajustarse de nuevo.

**PREAJUSTE DE EMISORAS**

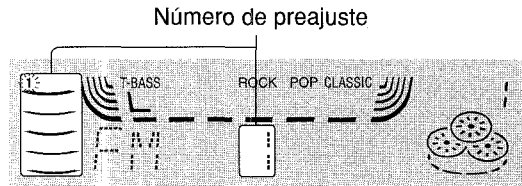


Esta unidad puede almacenar un total de 32 emisoras. Cuando almacene una emisora, a esa emisora se le asignará un número de preajuste. Utilice el número de preajuste para sintonizar directamente una emisora preajustada.

**1 Pulse TUNER/BAND para seleccionar una banda, y pulse ◀◀DOWN o ▶▶UP para seleccionar una emisora.**

**2 Pulse ■■SET para almacenar la emisora.**

A las emisoras de cada banda se les asigna un número de preajuste en orden consecutivo empezando por el 1.



**3 Repita los pasos 1 y 2.**

Si ya ha almacenado 32 emisoras en total, no podrá almacenar más.

**NOTA**

"FULL" se visualiza si intenta almacenar más de 32 emisoras preajustadas.

**SINTONIZACION MEDIANTE NUMERO DE PREAJUSTE**

Utilice el control remoto para seleccionar directamente el número de preajuste.

**1 Pulse BAND mientras pulsa SHIFT para seleccionar una banda.**

**2 Pulse los botones numerados 0-9 y +10 para seleccionar un número de preajuste.**

Ejemplo:

Para seleccionar el número de preajuste 20, pulse +10, +10 y 0.  
Para seleccionar el número de preajuste 15, pulse +10 y 5.

**Selección de un número de preajuste en la unidad principal**

Pulse **TUNER/BAND** para seleccionar una banda. Luego, pulse repetidamente ▶ **PRESET**.

Cada vez que pulse ▶ **PRESET** se seleccionará el siguiente número más alto.

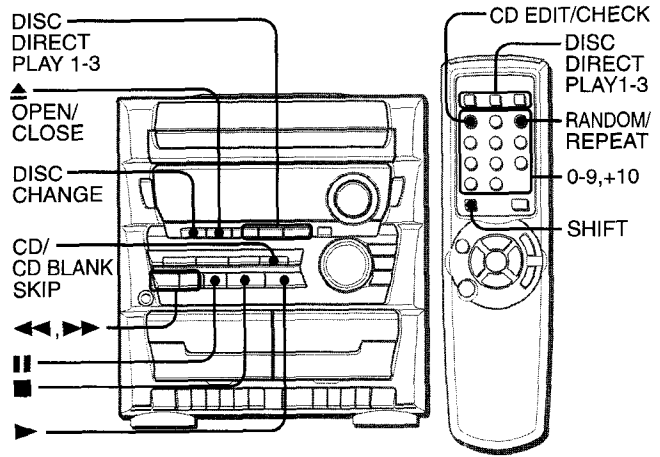
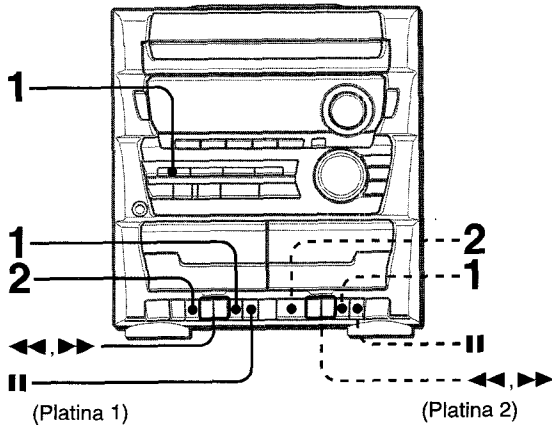
**Para borrar una emisora preajustada**

Seleccione el número de memorización de la emisora que desee borrar con los botones numéricos. Luego, pulse ■ **CLEAR** y ■■ **SET** antes de que pasen 4 segundos.

Los números de preajuste superiores de todas las demás emisoras de la banda disminuirán en uno.

**OPERACIONES BASICAS**

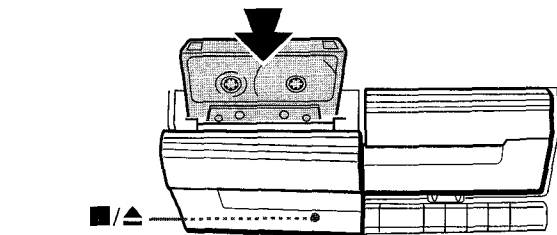
**OPERACIONES BASICAS**



**Cintas utilizables**

Utilice solamente cintas de tipo I (normales).

**1** Pulse **TAPE**, luego pulse **■/▲** para abrir el portacasete.



Inserte una cinta con el lado expuesto hacia abajo. Empuje el portacasete para cerrarlo.

**2** Pulse **▶** para iniciar la reproducción.

Sólo la cara que queda hacia afuera de la unidad puede ser reproducida.

Para detener la reproducción, pulse **■/▲**.

Para hacer una pausa en la reproducción, pulse **||**. Para reanudar la reproducción, púselo otra vez.

Para avanzar rápidamente o rebobinar, pulse **◀◀** o **▶▶** en el modo de parada. Luego pulse **■/▲** para detener la cinta.

**Cuando las platinas 1 y 2 están ajustadas en el modo de reproducción**

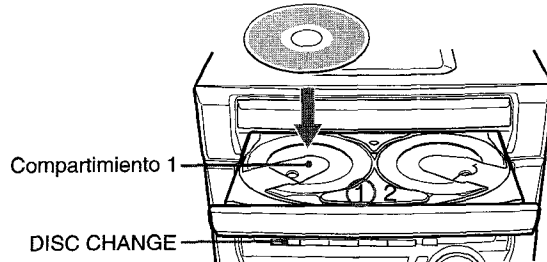
Se reproduce la cinta de cassette de la platina 2.

**INTRODUCCION DE DISCOS**

Pulse **CD**, y luego pulse **▲ OPEN/CLOSE** para abrir la bandeja de los discos. Introduzca el (los) disco(s) con el lado de la etiqueta hacia arriba.

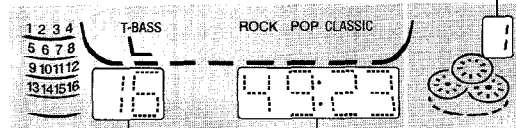
Para cargar uno o dos discos, ponga los discos en las bandejas 1 y 2.

Para cargar tres discos, pulse **DISC CHANGE** para hacer girar las bandejas después de colocar dos discos. Ponga luego el tercer disco en la bandeja 3.



Después de haber colocado los discos, pulse **▲ OPEN/CLOSE** para cerrar la bandeja de los discos. El visualizador mostrará la información sobre el disco a reproducirse.

Número del compartimiento del disco que va a ser reproducido



Número total de canciones

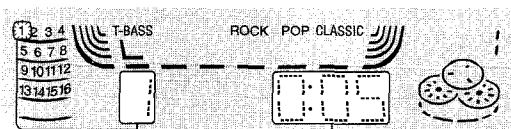
Tiempo de reproducción total

## REPRODUCCION DE DISCOS

Introduzca los discos.

**Para reproducir todos los discos de la bandeja, pulse**

La reproducción empezará por el disco del compartimiento 1.



Número de la canción que está siendo reproducida

Tiempo de reproducción transcurrido

**Para reproducir un disco solamente, pulse uno de los botones DISC DIRECT PLAY 1-3.**

El disco seleccionado se reproducirá una vez.



Número de la canción en reproducción

Tiempo de reproducción transcurrido

**Para detener la reproducción, pulse ■.**

**Para hacer una pausa en la reproducción, pulse II.** Para reanudar la reproducción, púlselo de nuevo.

**Para buscar un punto particular durante la reproducción,** mantenga pulsado ◀◀ o ▶▶ y suéltelo en el punto deseado.

**Para saltar hasta el principio de una canción durante la reproducción,** pulse repetidamente ◀◀ o ▶▶.

**Para quitar discos, pulse ▲OPEN/CLOSE.**

**Para iniciar la reproducción cuando la alimentación esté desconectada (función de reproducción directa)**

Pulse CD. La alimentación se conectará y la reproducción del (de los) disco(s) introducido(s) empezará.

La alimentación se conectará también, y la bandeja de los discos se abrirá, cuando se pulse ▲OPEN/CLOSE.

**Para comprobar el tiempo restante**

Durante la reproducción, pulse CD EDIT/CHECK del control remoto mientras pulsa SHIFT. El tiempo restante hasta que todas las canciones terminen de reproducirse se visualizará. Para reponer la visualización del tiempo de reproducción, repita este procedimiento.

**Selección de una canción con el control remoto**

1 Pulse uno de los botones DISC DIRECT PLAY 1-3 para seleccionar un disco.

2 Pulse los botones numerados 0-9 y +10 para seleccionar una canción.

Ejemplo:

Para seleccionar la canción número 25, pulse +10, +10 y 5.

Para seleccionar la canción número 10, pulse +10 y 0.

La canción seleccionada empezará a reproducirse y la reproducción continuará hasta que termine ese disco.

**Reemplazo de discos durante la reproducción**

Mientras se reproduzca un disco, los otros discos podrán reemplazarse sin interrumpir la reproducción.

1 Pulse DISC CHANGE.

2 Quite los discos y ponga otros.

3 Pulse ▲OPEN/CLOSE para cerrar la bandeja de los discos.

### NOTA

- Cuando introduzca un disco de 8 cm, cerciórese de colocarlo con precisión en el círculo interior de la bandeja. De lo contrario, el disco podría dañarse o la bandeja de los discos no se abriría. Si no se abre, solicite la reparación a su proveedor Aiwa.
- No ponga más de un disco compacto en un mismo compartimiento.
- No incline la unidad habiendo discos introducidos. Hacer esto podría causar averías.
- Antes de trasladar la unidad, quite los discos de los compartimientos.
- No utilice discos compactos con formas irregulares (por ejemplo, con forma de corazón, octogonales, etc.). Éstos podrían ocasionar un fallo en el funcionamiento.

## REPRODUCCION ALEATORIA/REPETICION DE REPRODUCCION

Utilice el control remoto.

**Reproducción aleatoria**

Todas las canciones del disco seleccionado o de todos los discos podrán reproducirse aleatoriamente.

**Repetición de reproducción**

Un solo disco o todos ellos podrán reproducirse repetidamente.

**Pulse RANDOM/REPEAT mientras pulsa SHIFT.**

Cada vez que lo pulse, la función podrá ser seleccionada cíclicamente.

**Reproducción aleatoria** — RANDOM se enciende en el visualizador.

**Repetición de reproducción** — se enciende en el visualizador.

**Reproducción aleatoria/repetición de reproducción** — RANDOM y se encienden en el visualizador.

**Cancelación** — RANDOM y desaparecen del visualizador.

**Para reproducir todos los discos,** pulse ▶ para iniciar la reproducción.

**Para reproducir un solo disco,** pulse uno de los botones DISC DIRECT PLAY 1-3 para iniciar la reproducción.

### NOTA

Durante la reproducción aleatoria no será posible saltar a la canción previamente reproducida con ◀◀.

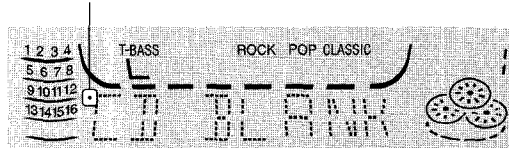
## REPRODUCCION CON SALTO DE SECCIONES EN BLANCO

Las secciones en blanco entre las canciones grabadas de un disco compacto pueden saltarse durante la reproducción.

**1 Pulse CD/CD BLANK SKIP de la unidad principal.**

"CD BLANK SKIP ON" se visualiza y aparecerá un punto pequeño en el visualizador.

Punto pequeño



**2 Pulse ▶ para iniciar la reproducción.**

Las secciones en blanco entre canciones se saltarán, y el sonido se reproducirá sin interrupción. Si una canción termina con desvanecimiento (el sonido va disminuyendo gradualmente), la parte con desvanecimiento también se saltará.

**Para volver a la reproducción normal**

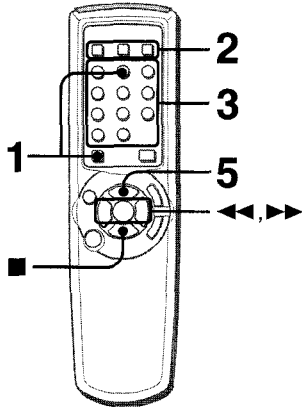
Pulse de nuevo CD/CD BLANK SKIP. "CD BLANK SKIP OFF" se visualiza y el punto del visualizador desaparecerá.

### NOTA

- Puede haber casos en los que la REPRODUCCION CON SALTO DE SECCIONES EN BLANCO no funcionará correctamente.
- La REPRODUCCION CON SALTO DE SECCIONES EN BLANCO se cancela automáticamente cuando se realiza la GRABACION CON EDICION AI (página 14), la GRABACION CON EDICION PROGRAMADA (página 15) la grabación durante la REPRODUCCION PROGRAMADA (página 12) o la REPRODUCCION ALEATORIA (página 11).

# REPRODUCCION PROGRAMADA

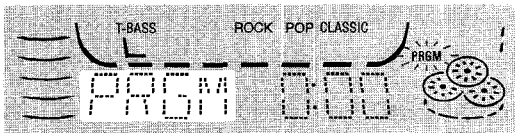
Se podrá programar un máximo de 30 canciones de cualquiera de los discos introducidos.



Utilice el control remoto.

## 1 Pulse PRGM mientras pulsa SHIFT estando en el modo de parada.

"PRGM" se visualizará.



## 2 Pulse uno de los botones DISC DIRECT PLAY 1-3 para seleccionar un disco.

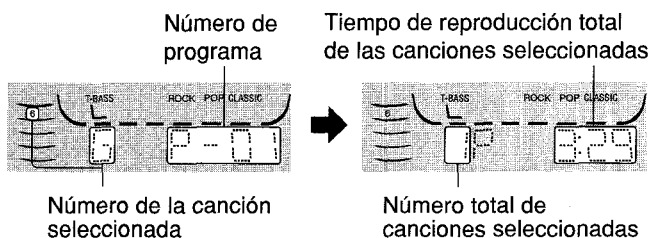
Vaya al paso siguiente cuando la bandeja deje de girar.

## 3 Pulse los botones numerados 0-9 y +10 para programar una canción.

Ejemplo:

Para seleccionar la canción número 25, pulse +10, +10 y 5.

Para seleccionar la canción número 10, pulse +10 y 0.



## 4 Repita los pasos 2 y 3 para programar otras canciones.

## 5 Pulse ► para iniciar la reproducción.

### Para comprobar el programa

Cada vez que se pulse ◀◀ o ▶▶ en el modo de parada se visualizará un número de disco, un número de canción y un número de programa.

### Para borrar el programa

Pulse ■ CLEAR en el modo de parada.

### Para añadir canciones al programa

Repita los pasos 2 y 3 en el modo de parada. La canción se programará después de la última canción programada.

### Para cambiar las canciones programadas

Borre el programa y repita todos los pasos de programación.

### Para reproducir repetidamente las canciones programadas

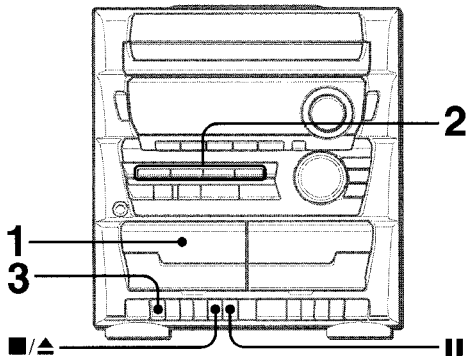
Después de programar las canciones, pulse repetidamente RANDOM/REPEAT mientras pulsa SHIFT hasta que ◀ aparezca en el visualizador.

### NOTA

- Durante la reproducción programada, usted no podrá utilizar la reproducción aleatoria, comprobar el tiempo restante, ni seleccionar una canción.
- "FULL" se visualizará si usted intenta programar más de 30 canciones.



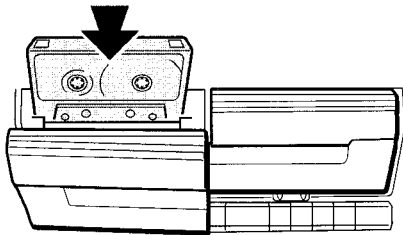
**GRABACION BASICA**



**Preparación**

- Utilice solamente cintas tipo I (normales).
- Bobine la cinta hasta el punto donde vaya a empezar la grabación.
- Tenga en cuenta que la grabación sólo se realiza en una cara de la cinta.

**1 Inserte la cinta que vaya a grabar en la platina 1.**  
 Inserte la cinta con la cara que vaya a grabar en primer lugar hacia afuera de la unidad.



**2 Pulse uno de los botones de función y prepare la fuente de sonido de la que vaya a grabar.**

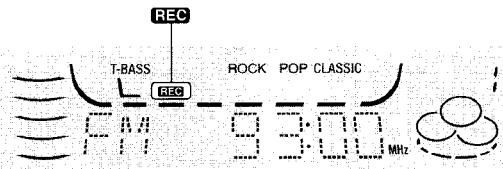
**Para grabar de un disco compacto,** pulse **CD** e introduzca el (los) disco(s).

**Para grabar de una cinta de cassette,** pulse **TAPE**. A continuación, inserte la cinta original en la platina 2 e inicie la reproducción.

**Para grabar una radiodifusión,** pulse **TUNER/BAND** y sintonice la emisora.

**Para grabar de una fuente de sonido conectada,** pulse **VIDEO/AUX/PHONO** y active la reproducción.

**3 Pulse ● de la platina 1 para iniciar la grabación.**  
 ► se enganchará simultáneamente.  
 Cuando la función seleccionada sea CD, la reproducción y la grabación empezarán simultáneamente.



**Para detener la grabación,** pulse **■/▲** de la platina 1.  
**Para hacer una pausa en la grabación,** pulse **||** de la platina 1.  
**Para reanudar la grabación,** púlselo de nuevo.

**Para grabar temas seleccionados de un CD**  
 Antes de pulsar ●, programe los temas (consulte la página 12).

**Para grabar parte de un disco compacto**  
 Al pulsar ●, la grabación siempre comienza en el primer tema. Para empezar en la mitad de un tema, primero reproduzca el disco compacto y después pulse **IISET** en el punto en el que quiera empezar a grabar. Pulse ●. Se liberará automáticamente el modo de pausa del botón CD y empezará la grabación.

**Ajuste del sonido durante la grabación**  
 El volumen de salida y el tono de los altavoces o de los auriculares podrá cambiarse libremente sin afectar en absoluto a la grabación.

**NOTA**  
 • No pulse los botones de la platina 2 durante la grabación.  
 • No es posible pulsar ● si ha roto la lengüeta de protección contra grabaciones de la cara de la cinta en la que vaya a grabar.

**Para borrar una grabación**  
 Una grabación realizada previamente se borrará cuando se realice otra en la misma parte de la cinta de cassette.

- 1 Inserte la cinta de cassette que quiera borrar en la platina 1.
- 2 Pulse **TAPE** y detenga todos los funcionamientos de la cinta de la platina 2.
- 3 Rebobine la cinta hasta el punto donde quiera comenzar a borrarla.
- 4 Pulse ● de la platina 1 para comenzar el borrado.

**Acerca de las cintas de cassette**

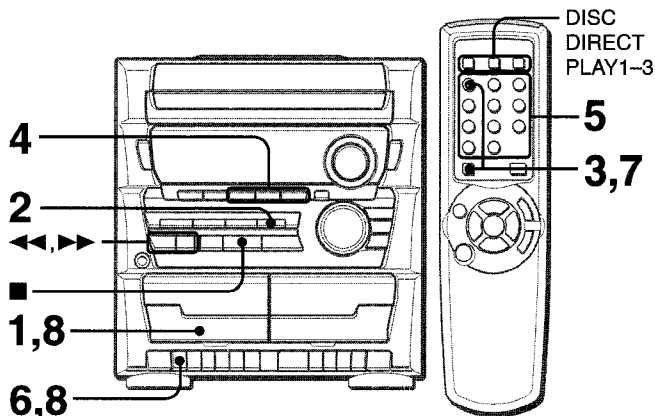
- **Para evitar el borrado accidental,** rompa con un destornillador u otra herramienta puntiaguda las lengüetas de plástico del cassette después de grabar.

Cara A — Lengüeta para la cara A

Para volver a grabar en una cinta, tape las aberturas con cinta adhesiva, etc.

- **Las cintas de 120 minutos o más** son extremadamente finas y se deforman o estropean fácilmente. No son recomendadas.
- **Tense la cinta** con un lapicero o herramienta similar antes de utilizarla. La cinta floja podrá romperse o atascarse en el mecanismo.

# GRABACION CON EDICION AI



La función de grabación con edición AI permite grabar discos compactos sin preocuparse de la duración de la cinta y de las canciones. Cuando se inserte un disco compacto, la unidad calculará automáticamente la duración total de las canciones. En caso de ser necesario, el orden de las canciones se cambiará para que ninguna canción quede cortada. (AI: Inteligencia Artificial)

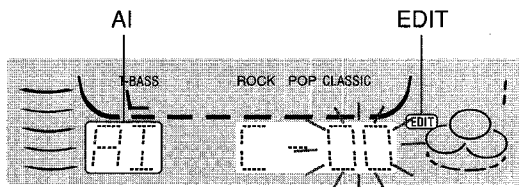
## 1 Inserte la cinta en la platina 1.

Inserte la cinta con la cara que vaya a grabar en primer lugar hacia afuera de la unidad, y rebobine completamente la cinta con ◀◀.

## 2 Pulse CD e introduzca el (los) disco(s).

## 3 Pulse una vez CD EDIT/CHECK mientras pulsa SHIFT del control remoto.

"EDIT" y "AI" se visualizarán.



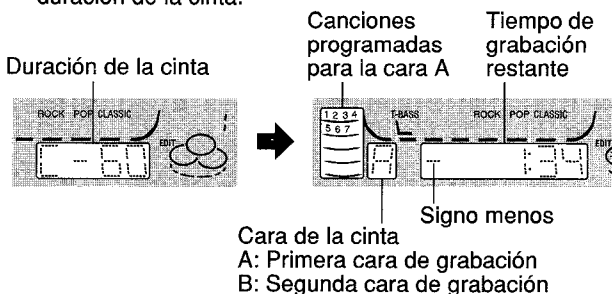
• Cuando se visualice "PRGM", pulse CD EDIT/CHECK mientras pulsa de nuevo SHIFT.

## 4 Pulse uno de los botones DISC DIRECT PLAY 1-3 para seleccionar un disco.

## 5 Pulse los botones numerados 0-9 del control remoto para designar la duración de la cinta.

Se puede especificar una duración de 10 a 99 minutos. Ejemplo: Cuando utilice una cinta de 60 minutos, pulse 6 y 0. En unos pocos segundos, las canciones que vayan a ser grabadas en cada cara de la cinta serán determinadas.

• ◀◀ y ▶▶ también se pueden utilizar para designar la duración de la cinta.



## 6 Pulse ● de la platina 1 para iniciar la grabación de la primera cara.

REC parpadeará durante 10 segundos y, la reproducción del disco compacto y la grabación de los temas de edición para la primera cara empezarán simultáneamente. Cuando se alcanza el final de la cinta, la platina 1 entrará en el modo de parada de grabación. Cuando la platina 1 entre en este modo, vaya al paso 7.

## 7 Pulse CD EDIT/CHECK mientras pulsa SHIFT del control remoto para visualizar el programa para la segunda grabación.

"B" se visualizará.

## 8 Dé la vuelta a la cinta de la platina 1 y pulse ● para iniciar la grabación de la segunda cara.

### Para parar la grabación en la mitad

Pulse ■/▲ de la platina 1.

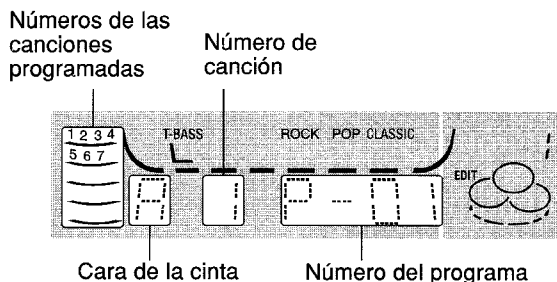
Se pararán simultáneamente la platina y la reproducción del disco compacto.

### Para eliminar el programa editado

Pulse dos veces ■ CLEAR en el modo de parada de forma que "EDIT" desaparezca del visualizador, o bien pulse ▲ OPEN/CLOSE.

### Para comprobar el orden de los números de las canciones programadas

Antes de grabar, pulse CD EDIT/CHECK mientras pulsa SHIFT del control remoto para seleccionar la cara A o la B, y pulse repetidamente ◀◀ o ▶▶.



### Para añadir canciones de otros discos a un programa de edición

Si queda tiempo en la cinta después del paso 5, usted podrá añadir canciones de otros discos que se encuentren en la bandeja de los discos compactos.

## 1 Pulse CD EDIT/CHECK mientras pulsa SHIFT del control remoto para seleccionar la cara A o la B.

## 2 Pulse uno de los botones DISC DIRECT PLAY 1-3 para seleccionar un disco.

## 3 Pulse los botones numerados del control remoto para seleccionar canciones.

Una canción cuyo tiempo de reproducción sea superior al tiempo restante no podrá ser programada.

## 4 Repita los pasos 2 y 3 para añadir más canciones.

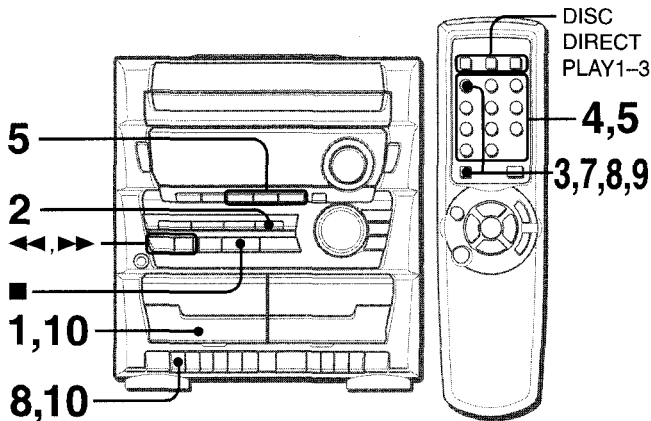
### Tiempo de las cintas de cassette y tiempo de edición

El tiempo real de grabación de los cassettes es por lo general un poco más largo que el tiempo de grabación especificado en sus etiquetas. Esta unidad puede programar canciones para utilizar ese tiempo extra. Cuando el tiempo total de grabación sea un poco más largo que el tiempo de grabación especificado en el casete, después de la edición, el visualizador mostrará el tiempo extra (sin un signo menos) en lugar del tiempo restante de la cinta (con el signo menos).

### NOTA

- La grabación no podrá realizarse si está rota la lengüeta de prevención de borrado para la cara de la cinta hacia afuera de la unidad.
- La función de grabación con edición AI no se podrá utilizar con discos que tengan 31 canciones o más. Si se intenta hacer esto se visualizará "TR OVER".

# GRABACION CON EDICION PROGRAMADA

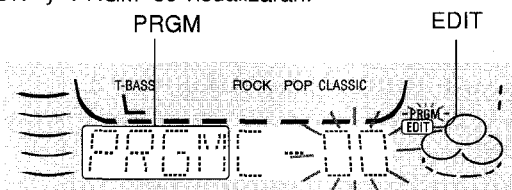


En la función de grabación con edición programada, las canciones pueden programarse mientras se comprueba el tiempo restante de cada cara de la cinta según se programan las canciones.

**1 Inserte la cinta en la platina 1.**  
 Inserte la cinta con la cara que vaya a grabar en primer lugar hacia afuera de la unidad y rebobine completamente la cinta con ◀◀.

**2 Pulse CD e introduzca el (los) disco(s).**

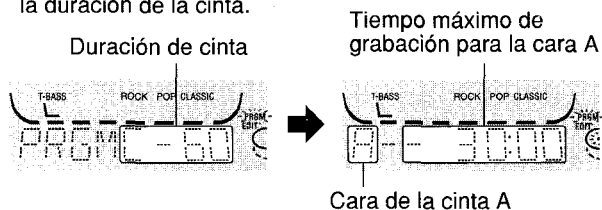
**3 Pulse dos veces CD EDIT/CHECK mientras pulsa SHIFT del control remoto.**  
 "EDIT" y "PRGM" se visualizarán.



• Cuando se visualice "AI", pulse **CD EDIT/CHECK** mientras pulsa de nuevo **SHIFT**.

**4 Pulse los botones numerados del control remoto para designar la duración de la cinta.**

Se puede especificar una duración de 10 a 99 minutos.  
 • ◀◀ y ▶▶ también se encuentran disponibles para designar la duración de la cinta.



**5 Pulse uno de los botones DISC DIRECT PLAY 1-3 para seleccionar un disco.**

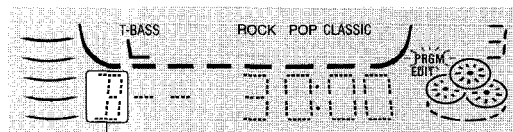
**Luego, pulse los botones numerados 0-9 y +10 del control remoto para programar una canción.**  
 Ejemplo: Para seleccionar la canción número 10 del disco 2, pulse **DISC DIRECT PLAY 2**, y luego pulse **+10** y **0**.



**6 Repita el paso 5 para el resto de las canciones para la cara A.**

Una canción cuyo tiempo de reproducción sea superior al tiempo restante no podrá ser programada.

**7 Pulse CD EDIT/CHECK mientras pulsa SHIFT del control remoto para seleccionar la cara B y programe las canciones para la cara B.**



Cara B de la cinta (cara trasera)

**8 Pulse CD EDIT/CHECK mientras pulsa SHIFT para seleccionar la cara A y pulse ● de la platina 1 para iniciar la grabación.**

Parpadeará **REC** durante 10 segundos, la reproducción del disco compacto y la grabación de los temas de edición en la primera cara comenzarán simultáneamente. Al alcanzar el final de la cinta, la platina 1 entrará en el modo de parada de grabación. Después de entrar en el modo de parada de grabación, vaya al paso 9.

**9 Pulse CD EDIT/CHECK mientras pulsa SHIFT del control remoto para grabar la segunda cara.**  
 "B" se visualizará.

**10 Dé la vuelta a la cinta de la platina 1 y pulse ● para iniciar la grabación.**  
 Empezará la grabación.

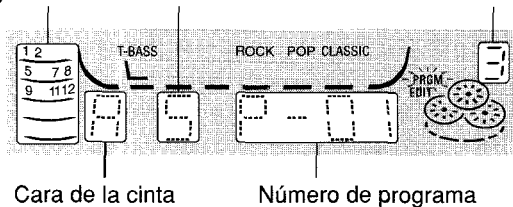
**Para detener la grabación**

Pulse ◻/▲ de la platina 1. La grabación y la reproducción del disco compacto pararán simultáneamente.

**Para comprobar el orden de los números de las canciones programadas**

Antes de grabar, pulse **CD EDIT/CHECK** mientras pulsa **SHIFT** del control remoto para seleccionar la cara A o la B, y pulse repetidamente ◀◀ o ▶▶.

Números de canciones programadas      Número de canción      Número de disco



**Para cambiar el programa de cada cara**

Pulse **CD EDIT/CHECK** mientras pulsa **SHIFT** del control remoto para seleccionar la cara A o B, y pulse ◻ **CLEAR** para borrar el programa de la cara seleccionada. Luego vuelva a programar canciones.

**Para borrar el programa de edición**

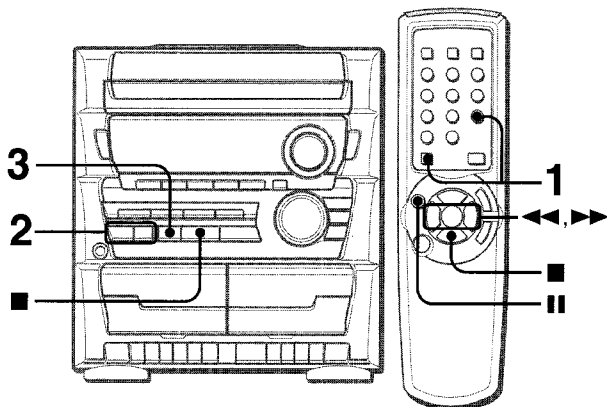
Pulse ◻ **CLEAR** dos veces en el modo de parada para que "EDIT" desaparezca del visualizador.

**Nota**

- La grabación no podrá realizarse si está rota la lengüeta de prevención de borrado para la cara de la cinta hacia afuera de la unidad.
- Se podrá programar un máximo de 30 canciones de cualquiera de los discos introducidos.
- "FULL" se visualizará si usted intenta programar más de 30 canciones.



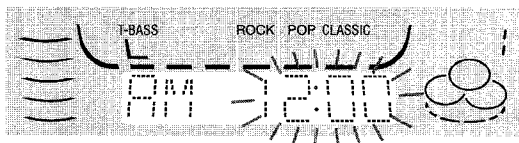
**PUESTA EN HORA DEL RELOJ**



Cuando la hora esté puesta en el reloj, ":" entre las horas y los minutos parpadeará. Cuando el cable de alimentación se enchufe en una toma de CA por primera vez después de haber adquirido el aparato o cuando el ajuste del reloj se cancele debido a un fallo en la alimentación, toda la visualización del reloj parpadeará.

Utilice el control remoto.

**1 Pulse CLOCK una vez mientras pulsa SHIFT en el control remoto.**



**2 Antes de que pasen 4 segundos, pulse ◀◀ o ▶▶ para designar la hora y el minuto.**

Manteniendo pulsados estos botones, la hora cambiará rápidamente.

**3 Pulse ■■.**

El reloj empezará desde 00 segundos.

**Para ver el reloj habiendo otra visualización en el visualizador**

Pulse **CLOCK** mientras pulsa **SHIFT**. La hora se visualizará durante 4 segundos y luego volverá a aparecer la visualización original. Sin embargo, el reloj no podrá visualizarse durante la grabación.

**Para cambiar al modo de 24 horas**

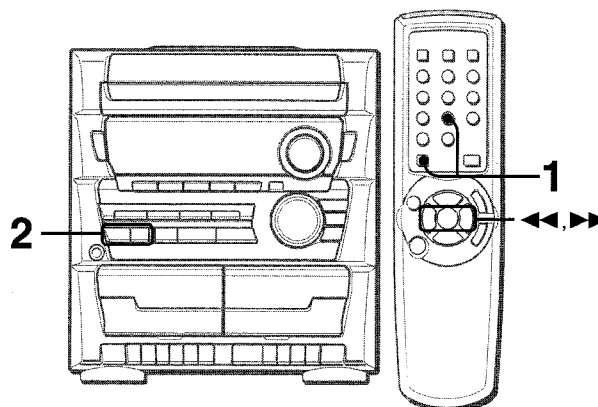
Pulse **CLOCK** una vez mientras pulsa **SHIFT** y luego pulse ■ antes de que pasen 4 segundos.

Repita el mismo procedimiento para reponer el modo de 12 horas.

**Si parpadea la visualización del reloj**

Si parpadea la visualización cuando se visualiza el reloj, esto indica que el reloj se ha parado debido a un fallo en la alimentación o a la desconexión del cable de alimentación. La hora actual necesita reponerse.

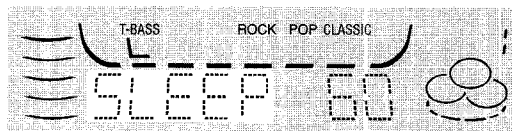
**AJUSTE DEL TEMPORIZADOR PARA DORMIR**



La unidad se podrá apagar automáticamente después de transcurrido un tiempo especificado.

Utilice el control remoto.

**1 Pulse SLEEP mientras pulsa SHIFT en el control remoto.**



**2 Antes de que pasen 4 segundos, pulse ◀◀ o ▶▶ para especificar el tiempo tras el cual se desconectará la alimentación.**

El tiempo cambiará entre 5 y 240 minutos en pasos de 5 minutos.



Tiempo especificado

Mientras el temporizador para dormir esté en funcionamiento, la visualización será débil de lo normal.

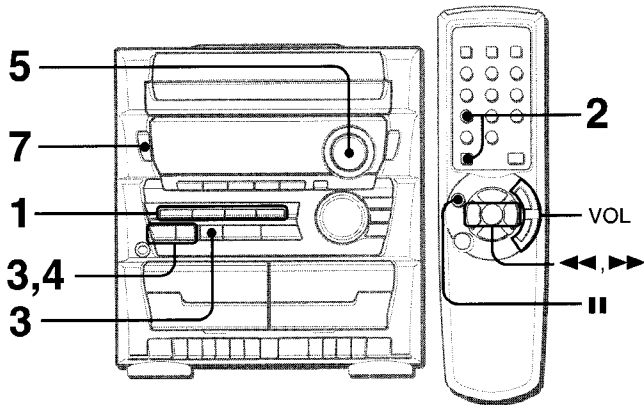
**Para comprobar el tiempo restante hasta que se desconecte la alimentación**

Pulse una vez **SLEEP** mientras pulsa **SHIFT**. El tiempo restante se visualizará durante 4 segundos.

**Para cancelar el temporizador para dormir**

Pulse dos veces **SLEEP** mientras pulsa **SHIFT** para que desaparezca "SLEEPoFF" del visualizador.

## AJUSTE DEL TEMPORIZADOR



La unidad podrá encenderse a la hora especificada todos los días gracias al temporizador incorporado.

### Preparación

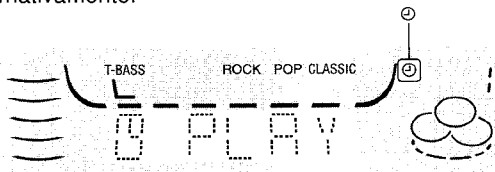
Asegúrese de que la hora del reloj sea correcta.

#### 1 Pulse uno de los botones de función para seleccionar una fuente.

- Si se pulsa el botón **TUNER/BAND**, la banda podrá seleccionarse en este paso.

#### 2 Pulse **TIMER** mientras pulsa **SHIFT** en el control remoto hasta que ☺ y "▶ **PLAY**" aparezcan en el visualizador.

La hora y el nombre de la fuente de sonido parpadean alternativamente.



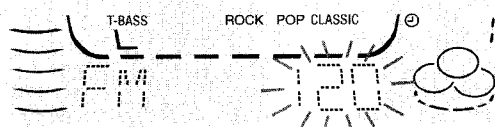
#### 3 Antes de que pasen 6 segundos, pulse ◀◀ o ▶▶ para designar la hora de encendido del temporizador, y luego pulse **ENTER** o ||.

Al mantener pulsados estos botones, la hora cambiará rápidamente.



#### 4 Antes de que pasen 4 segundos, pulse ◀◀ o ▶▶ para seleccionar la duración del periodo activado por temporizador.

La duración puede ajustarse entre 5 y 240 minutos en pasos de 5 minutos.



La duración se ajustará automáticamente después de 4 segundos. También se ajustará si || se pulsa antes de que pasen 4 segundos después del paso 4.

#### 5 Ajuste el volumen.

El sonido de la fuente se reproducirá al nivel de sonido ajustado en este paso cuando la alimentación sea conectada por el temporizador. Sin embargo, si el nivel del sonido se ajusta a 17 o más, éste se ajustará automáticamente a 16 cuando se conecte la alimentación.

#### 6 Prepare la fuente de sonido.

**Para escuchar un disco compacto**, introduzca el disco que vaya a reproducir en primer lugar en el compartimiento 1.

**Para escuchar una cinta**, introduzca la cinta en la platina 1 o en la 2.

**Para escuchar la radio**, sintonice una emisora.

#### 7 Pulse **POWER** para desconectar la alimentación.

☺ permanecerá en el visualizador después de que se desconecte la alimentación (modo de espera del temporizador).



#### 8 Preparativos para la función **TAPE** o la grabación con temporizador.

**Para escuchar una cinta de cassette**, pulse ▶ en la platina 1 o 2.

**Para grabar la fuente de sonido**, introduzca la cinta en la platina 1 y pulse ● de la platina 1.

Cuando llegue la hora de encendido del temporizador, la unidad se encenderá y la reproducción empezará con la fuente de sonido seleccionada.

### NOTA

Usted puede cambiar el sonido que fue seleccionado en el paso 1 pulsando uno de los botones de función antes de pulsar || en el paso 3.

#### Tiempo de grabación por temporizador y duración de la cinta

Cuando la duración de la cinta que va a grabar es más corta que el tiempo de grabación por temporizador, ● de la platina 1 se libera antes de que el temporizador esté en estado apagado. Cuando la duración de la cinta que va a grabar es más larga que el tiempo de grabación establecido no se libera ●. Si ● no se libera durante largo tiempo, puede dañarse la cinta que hay en la platina. Pulse ■/▲ para liberar ●.

#### Para comprobar el ajuste del temporizador

Pulse **TIMER** mientras pulsa **SHIFT**.

La fuente seleccionada, la hora de encendido del temporizador y la duración del periodo activado por temporizador se visualizarán durante 4 segundos.

#### Para cambiar cualquiera de los ajustes anteriores

Empiece desde el paso 1.

Sin embargo, si no cambia la hora de encendido del temporizador en el paso 3, pulse dos veces || y continúe desde el paso 4.

#### Para cancelar temporalmente el modo de espera del temporizador

Pulse **TIMER** mientras pulsa **SHIFT** para que desaparezca ☺.

Para reponer el modo de espera del temporizador, púselos de nuevo para visualizar ☺.

#### Utilización de la unidad mientras esté ajustado el temporizador

Podrá utilizar normalmente la unidad después de ajustar el temporizador.

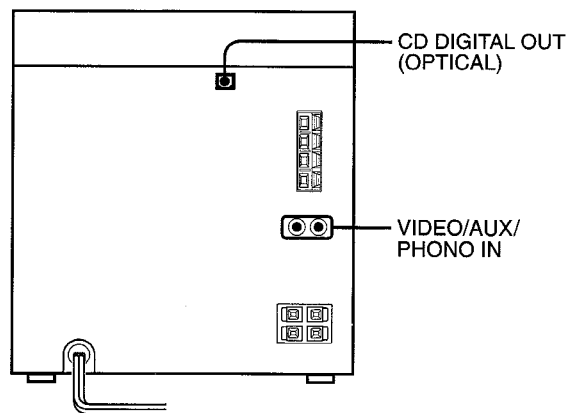
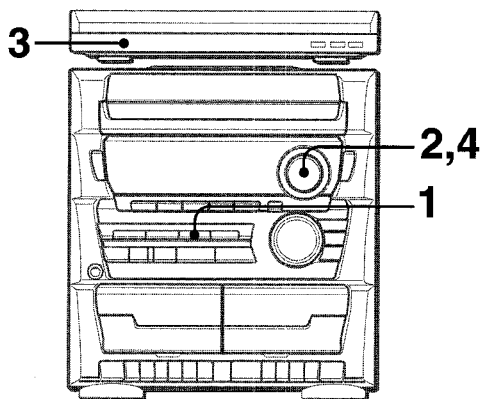
Antes de desconectar la alimentación, realice los pasos 5 y 6.

### NOTA

- La reproducción y la grabación con temporizador no empezarán si no se desconecta la alimentación.
- El equipo conectado no se podrá encender ni apagar con el temporizador incorporado de esta unidad. Utilice en este caso un temporizador externo.
- Mientras funciona el temporizador, la indicación del visualizador será más oscura de lo normal.

**FUNCIONES BASICAS**

**CONEXION DE UN EQUIPO OPCIONAL**



**Preparativos**

- Conecte el plato giradiscos estéreo suministrado a la unidad principal (consulte la página 5).
- Ajuste el selector **EQUALIZER AMP** del plato giradiscos en la posición ON. (Para más información, consulte el manual de instrucciones del plato giradiscos.)

**1 Pulse VIDEO/AUX/PHONO de la unidad principal.**

"VIDEO" aparecerá en el visualizador.  
El nombre de la fuente del visualizador podrá cambiarse a "PHONO".  
(Consulte "ESCUCHA DE FUENTES DE SONIDOS EXTERNAS" de la página 19.)

**2 Ajuste el volumen al mínimo.**

Gire **VOLUME** en el sentido contrario a las agujas del reloj hasta que aparezca "VOL 0".

**3 Inicie la reproducción en el plato giradiscos.**

Para más información, consulte el manual de instrucciones del plato giradiscos.

**4 Ajuste el volumen según sus preferencias.**

Consulte el manual de instrucciones del equipo conectado para tener más detalles.

- Los cables de conexión no han sido suministrados. Obtenga los cables de conexión necesarios.
- Consulte con su concesionario Aiwa en cuanto al equipo opcional.

**TOMAS VIDEO/AUX/PHONO IN**

Esta unidad puede introducir señales de sonido analógico a través de estas tomas.

Utilice un cable con clavijas fono RCA para conectar equipos de audio (reproductores de discos láser, reproductores de minidiscos, vídeos, televisores, etc.).

Conecte la clavija roja a la toma **VIDEO/AUX/PHONO IN R** y la blanca a la toma **VIDEO/AUX/PHONO IN L**.

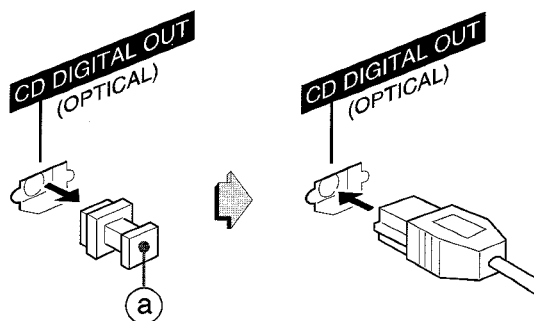
**Cuando conecte un giradiscos**

Utilice un giradiscos Aiwa con amplificador ecualizador incorporado.

**TOMA CD DIGITAL OUT (OPTICAL)**

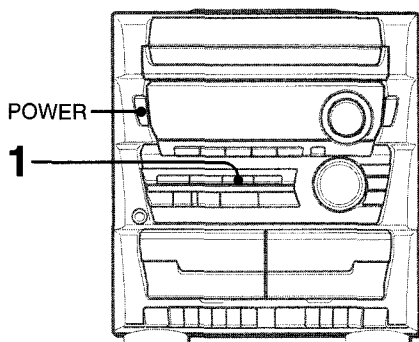
Esta unidad puede dar salida a señales de sonido digital de discos compactos a través de esta toma. Utilice un cable óptico para conectar el equipo de audio digital (platina de cinta audiodigital, grabadora de minidiscos, etc.).

Quite la tapa contra el polvo (a) de la toma **CD DIGITAL OUT (OPTICAL)**. Luego, conecte la clavija del cable óptico a la toma **CD DIGITAL OUT (OPTICAL)**.



**Cuando no se utilice la toma CD DIGITAL OUT (OPTICAL)**  
Ponga la tapa contra el polvo.

## ESCUCHA DE FUENTES DE SONIDO EXTERNAS



Para hacer la reproducción en el equipo conectado a las tomas **VIDEO/AUX/PHONO IN**, siga el procedimiento siguiente:

### 1 Pulse VIDEO/AUX/PHONO.

“VIDEO” aparecerá en el visualizador.

### 2 Haga la reproducción en el equipo conectado.

#### Para cambiar el nombre de una fuente de sonido en el visualizador

Cuando se pulse **VIDEO/AUX/PHONO**, “VIDEO” se visualizará inicialmente. Esto podrá ser cambiado por “AUX” o “TV” o “PHONO”.

Cuando la alimentación esté conectada, pulse **POWER** mientras pulsa **VIDEO/AUX/PHONO**.

Repita el procedimiento para seleccionar uno de los nombres.

## GENERALIDADES

## CUIDADOS Y MANTENIMIENTO

El mantenimiento y el cuidado ocasional de la unidad y del software resultan necesarios para optimizar las prestaciones de su unidad.

#### Para limpiar la caja

Utilice un paño blando y seco.

Si las superficies están muy sucias, utilice un paño suave humedecido un poco en una solución de detergente suave. No utilice disolventes fuertes tales como alcohol, bencina o diluyente porque éstos podrían estropear el acabado de la unidad.

#### Para limpiar las cabezas magnetofónicas

Cuando las cabezas magnetofónicas estén sucias:

- el sonido de alta frecuencia no se emitirá
- el sonido no alcanzará la altura adecuada
- el sonido estará desequilibrado
- la cinta no podrá borrarse
- no podrá grabarse en la cinta

Después de cada 10 horas de utilización, limpie las cabezas magnetofónicas con un casete de limpieza de cabezas.

Consulte las instrucciones del casete de limpieza para conocer detalles.

#### Para desmagnetizar las cabezas magnetofónicas

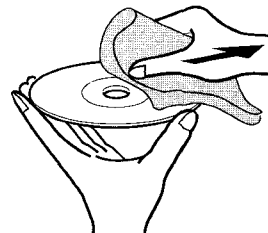
Las cabezas magnetofónicas puede magnetizarse después de utilizarlas durante mucho tiempo. Esto puede reducir la gama de salida de las cintas grabadas y aumentar el ruido.

Después de 20 a 30 horas de utilización, desmagnetice las cabezas magnetofónicas con un casete desmagnetizador vendido por separado.

Consulte las instrucciones del casete desmagnetizador para conocer más detalles.

#### Cuidado de los discos

- Cuando un disco esté sucio, límpielo pasando un paño de limpieza desde el centro hacia afuera.



- Después de reproducir un disco, guárdelo en su caja. No deje los discos en lugares calientes o húmedos.

#### Cuidados de las cintas

- Guarde las cintas en sus cajas después de utilizarlas.
- No deje las cintas cerca de imanes, motores, televisores o cualquier otra fuente de magnetismo. Esto reducirá la calidad del sonido y causará ruidos.
- No exponga cintas a la luz directa del sol, ni las deje en el interior de un automóvil estacionado bajo la luz directa del sol.

Si la unidad no funciona como se describe en este manual de instrucciones, compruebe la guía siguiente:

## GENERALIDADES

### No hay sonido.

- ¿Está bien conectado el cable de alimentación de CA?
- ¿Hay alguna conexión mal hecha? (→ páginas 4, 5)
- Puede haber un cortocircuito en los terminales de los altavoces.
  - Desconecte el cable de alimentación de CA y corrija las conexiones de los altavoces.
- ¿Se ha pulsado un botón de función equivocado?

### Sólo sale sonido de un altavoz.

- ¿Está el otro altavoz desconectado?

### Se produce una visualización errónea o un mal funcionamiento.

- Vuelva a ajustar la unidad como se indica más abajo.

## SECCION DEL SINTONIZADOR

### Hay un ruido de estática constante en forma de onda.

- ¿Está conectada correctamente la antena? (→ páginas 4, 5)
- ¿Es débil la señal?
  - Conecte una antena exterior.

### La recepción tiene interferencias o el sonido está distorsionado.

- ¿Capta el sistema ruidos externos o distorsión de múltiples trayectorias?
  - Cambie la orientación de la antena.
  - Separe la unidad de otros aparatos eléctricos.

## SECCION DE LA PLATINA

### La cinta no se mueve.

- ¿Está la platina en el modo de pausa? (→ página 10)

### El sonido está desequilibrado o no alcanza la altura suficiente.

- ¿Está sucia la cabeza de reproducción? (→ página 19)

### No es posible grabar.

- ¿Está rota la lengüeta de prevención contra borrado? (→ página 13)
- ¿Está sucia la cabeza de grabación? (→ página 19)

### No es posible borrar la grabación.

- ¿Está sucia la cabeza de borrado? (→ página 19)
- ¿Está utilizando una cinta de metal?

### No se emite sonido de alta frecuencia.

- ¿Está sucia la cabeza de grabación/reproducción? (→ página 19)

## SECCION DEL REPRODUCTOR DE DISCOS COMPACTOS

### El reproductor de discos compactos no puede reproducir.

- ¿Está bien puesto el disco? (→ página 10)
- ¿Está sucio el disco? (→ página 19)
- ¿Afecta la condensación a la lente?
  - Espere una hora aproximadamente y pruebe otra vez.

## Para reajustar la unidad

Si se produce alguna condición extraña en el visualizador o en las platinas, reajuste la unidad de la forma siguiente:

- 1 Pulse **POWER** para desconectar la alimentación.
- 2 Pulse **POWER** para conectar la alimentación mientras pulsa **■ CLEAR**. Todo lo que haya sido almacenado en la memoria después de haber adquirido la unidad se borrará.

Si no puede desconectarse la alimentación en el paso 1 debido a algún mal funcionamiento, reajuste la unidad desconectando el cable de alimentación de CA y conectándolo de nuevo. Luego ejecute el paso 2.

## Unidad principal CX-ZL10

### Sección del sintonizador de FM

Gama de sintonización	87,5 MHz a 108 MHz
Sensibilidad útil (IHF)	13,2 dBf
Terminales de antena	75 ohmios (desequilibrada)

### Sección del sintonizador de AM

Gama de sintonización	530 kHz a 1710 kHz (pasos de 10 kHz) 531 kHz a 1602 kHz (pasos de 9 kHz)
Sensibilidad útil	350 µV/m
Antena	Antena de cuadro

### Sección del amplificador

Potencia de salida	10 W + 10 W (50 Hz – 20 kHz, con no más del 1 % de distorsión armónica total, 6 ohmios) 15 W + 15 W (1 kHz, con no más del 10 % de distorsión armónica total, 6 ohmios)
--------------------	--

### Distorsión armónica total

Distorsión armónica total	0,1 % (6 W, 1 kHz, 6 ohmios, DIN AUDIO)
---------------------------	---

### Entradas

### Salidas

VIDEO/AUX/PHONO IN: 500 mV  
CD DIGITAL OUT (OPTICAL)  
SPEAKERS: Acepta altavoces de 6 ohmios o más  
PHONES (toma estéreo):  
Acepta auriculares de 32 ohmios o más

### Sección de la platina

Formato de pistas	4 pistas, 2 canales estéreo
Respuesta de frecuencia	50 Hz – 10000 Hz
Sistema de grabación	Polarización de CA
Cabezas	Platina 1: 1 cabeza de grabación/reproducción, 1 cabeza de borrado Platina 2: 1 cabeza de reproducción

### Sección del reproductor de discos compactos

Láser	Láser de semiconductor (λ = 780 nm)
Convertidor D-A	1 bit doble
Relación señal a ruido	85 dB (1 kHz, 0 dB)
Distorsión armónica	0,05% (1 kHz, 0 dB)
Fluctuación y trémolo	No se puede medir

### Generalidades

Alimentación	120 V CA, 60 Hz
Consumo	40 W
Dimensiones de la unidad principal (An × Al × Prof)	360 × 394,5 × 350 mm
Peso de la unidad principal	5,9 kg

### Sistema de altavoces SX-ZL10

Tipo de caja	2 vías, reflejo de graves
Altavoces	Altavoz para graves: Tipo cónico de 130 mm Altavoz para superagudos: Tipo cerámico de 20 mm
Impedancia	6 ohmios
Nivel de presión acústica de salida	87 dB/W/m
Dimensiones (An × Al × Prof)	260 × 444 × 215 mm
Peso	3,5 kg

Las especificaciones y el aspecto exterior están sujetos a cambios sin previo aviso.



## **DERECHOS DE AUTOR**

Sírvase comprobar las leyes de derechos de autor relacionadas con la grabación de discos, de la radio o de cintas del país en el que se utilice el aparato.

## AVERTISSEMENT

AFIN DE LIMITER LES RISQUES D'INCENDIE OU D'ELECTROCUTION, NE PAS EXPOSER CET APPAREIL A LA PLUIE OU A L'HUMIDITE.



### Explication des symboles graphiques:



L'éclair muni d'un symbole en forme de flèche, à l'intérieur d'un triangle équilatéral, est destiné à alerter l'utilisateur sur la présence d'une "tension dangereuse" non isolée à l'intérieur du coffret qui peut être suffisamment forte pour constituer un risque d'électrocution pour une personne.



Le point d'exclamation à l'intérieur d'un triangle équilatéral est destiné à alerter l'utilisateur sur la présence d'instructions importantes sur le fonctionnement et l'entretien (réparation) dans les instructions accompagnant cet appareil.

## PRECAUTIONS

Lisez attentivement tout ce mode d'emploi avant de mettre l'appareil en service. Conservez le mode d'emploi pour pouvoir vous y reporter ultérieurement. Observez scrupuleusement tous les avertissements et précautions signalés dans le mode d'emploi et sur l'appareil, et respectez les conseils de sécurité ci-dessous.

### Installation

- 1 Eau et humidité** — Ne pas utiliser l'appareil près d'une baignoire, d'un lavabo, d'une piscine ou de tout autre endroit similaire.
- 2 Chaleur** — Ne pas utiliser l'appareil près d'une source de chaleur, comme une sortie d'air chaud, un réchaud, ou tout autre appareil produisant de la chaleur. Il ne doit pas non plus être exposé à des températures inférieures à 5°C (41°F) ou supérieures à 35°C (95°F).
- 3 Installation** — Installez l'appareil sur une surface plane, de niveau.
- 4 Ventilation** — Laissez un espace suffisant tout autour de l'appareil pour garantir une bonne ventilation, soit environ 10 cm (4 po.) à l'arrière et au-dessus de l'appareil et 5 cm (2 po.) sur les deux côtés.
  - Ne pas poser l'appareil sur un lit, une couverture ou toute autre surface similaire qui pourrait boucher les orifices de ventilation.
  - Ne pas installer l'appareil dans une étagère, un placard ou un meuble audio hermétique où la ventilation est insuffisante.
- 5 Objets et liquide** — Veillez à ce qu'aucun objet ni liquide ne pénètre à l'intérieur de l'appareil par les orifices de ventilation.
- 6 Chariots et supports** — Quand vous installez l'appareil sur un support ou un chariot, déplacez l'ensemble lentement. Des arrêts subits, des mouvements brusques et des surfaces inégales peuvent être à l'origine d'un renversement ou d'une chute de l'appareil ou du chariot.



- 7 Condensation** — De la condensation peut se former sur la lentille du bloc optique quand:
  - L'appareil est transporté d'un endroit froid dans un endroit chaud.
  - Un appareil de chauffage vient juste d'être mis en marche.
  - L'appareil est utilisé dans une pièce très humide.
  - L'appareil est refroidi par un climatiseur.
 Un dysfonctionnement est possible si de l'humidité s'est condensée à l'intérieur de l'appareil. Dans ce cas, mettez l'appareil en marche après quelques heures d'attente.

- 8 Fixation sur un mur ou au plafond** — L'appareil ne doit pas être installé sur un mur ou au plafond, sauf indications contraires dans le mode d'emploi.

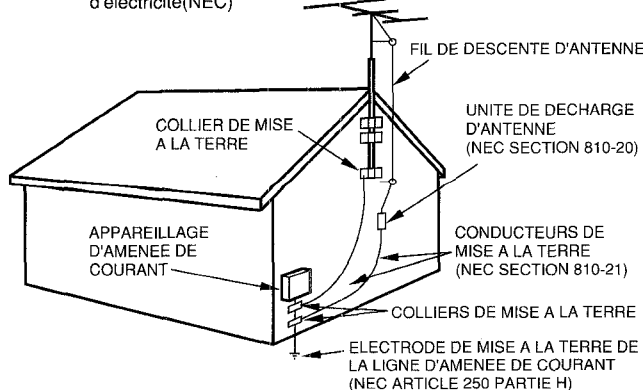
### Courant électrique

- 1 Sources d'alimentation** — Raccordez l'appareil seulement aux sources d'alimentation spécifiées dans le mode d'emploi et indiquée sur l'appareil.
- 2 Polarisation** — Pour des raisons de sécurité, certains appareils sont équipés d'une fiche d'alimentation secteur polarisée qui ne peut être insérée que d'une seule manière dans une prise murale. S'il est difficile ou impossible d'insérer la fiche dans une prise, tournez la fiche dans l'autre sens et essayez de nouveau. Si la fiche est toujours difficile à insérer, veuillez contacter un technicien agréé pour la réparation ou le remplacement de la prise. Pour conserver les avantages offerts par cet élément de sécurité, n'essayez pas d'insérer la fiche dans une prise murale en forçant.
- 3 Cordon d'alimentation secteur**
  - Quand vous débranchez le cordon d'alimentation secteur, tirez sur la fiche et non pas sur le cordon.
  - Ne jamais toucher la fiche secteur avec des mains humides, afin d'éviter les risques d'incendie ou d'électrocution.
  - Les cordons d'alimentation doivent être acheminés correctement pour éviter qu'ils ne soient pliés, coincés ou piétinés. Faites particulièrement attention au cordon reliant l'appareil à la prise secteur.
  - Evitez de surcharger les fiches et prolongateurs au-delà de leur capacité afin d'éviter tout risque d'incendie ou d'électrocution.
- 4 Prolongateur** — Pour prévenir les chocs électriques, ne pas utiliser cette fiche polarisée avec un prolongateur, une prise de courant ou une autre sortie de courant, sauf si les lames de la fiche peuvent être insérées à fond sans en laisser aucune partie à découvert.
- 5 Quand l'appareil n'est pas utilisé** — Débranchez le cordon d'alimentation de la prise secteur si vous prévoyez de ne pas utiliser l'appareil pendant plusieurs mois. Quand le cordon est branché, une petite quantité d'électricité s'écoule vers l'appareil même si celui-ci est hors tension.

### Antenne extérieure

- 1 Lignes électriques** — Quand vous raccordez une antenne extérieure, assurez-vous qu'elle est suffisamment éloignée des lignes électriques.
- 2 Mise à la terre de l'antenne extérieure** — Assurez-vous que l'antenne est raccordée correctement à la terre par mesure de protection contre les surtensions et l'accumulation de charges statiques. L'article 810 du National Electrical Code, ANSI/NFPA 70, offre des renseignements portant sur la mise à la terre correcte du mât et de la structure de support, la mise à la terre du fil d'antenne avec un appareil de décharge pour antenne, la taille des conducteurs de mise à la terre, la position de l'appareil de décharge pour antenne, le raccordement aux électrodes de mise à la terre, et les conditions requises pour les électrodes de mise à la terre.

Mise à la terre d'une antenne selon le code national d'électricité (NEC)



## Entretien

Nettoyez l'appareil comme indiqué dans le mode d'emploi.

## Réparations exigeant l'intervention d'un professionnel

Faites réparer l'appareil par un réparateur agréé dans les cas suivants:

- Le cordon d'alimentation secteur ou la fiche ont été endommagés.
- Des objets ou liquides ont pénétré à l'intérieur de l'appareil.
- L'appareil a été exposé à la pluie ou à l'eau.
- L'appareil ne semble pas fonctionner correctement.
- Les performances de l'appareil se sont dégradées de façon perceptible.
- L'appareil est tombé ou le coffret a été endommagé.

**NE PAS ESSAYER DE REPARER SOI-MEME L'APPAREIL.**

## Vérifiez la chaîne et les accessoires

### Z-L10

Radio magnétocassette lecteur de disques compacts stéréo CX-ZL10

Enceintes avant SX-ZL10

### Z-L11

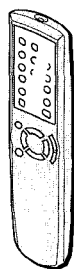
Radio magnétocassette lecteur de disques compacts stéréo CX-ZL10

Enceintes avant SX-ZL10

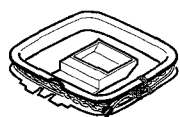
Tourne-disque stéréo PX-E860

### Commun

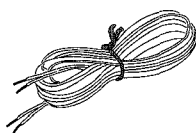
Télécommande



Antenne AM



Antenne FM



Modes d'emploi, etc.

## Référence de l'utilisateur

Veuillez reporter le numéro du modèle et le numéro de série (que vous trouverez à l'arrière de l'appareil) dans l'espace disponible ci-dessous. Ces numéros vous serviront de référence si vous devez consulter votre revendeur Aiwa en cas de difficulté.

Numéro du modèle	Numéro de série (lot)
CX-ZL10	
SX-ZL10	
PX-E860 (Z-L11 seulement)	

# TABLE DES MATIERES

## PREPARATIFS

RACCORDEMENTS (Z-L10) .....	4
RACCORDEMENTS (Z-L11) .....	5
TELECOMMANDE .....	6
AVANT L'UTILISATION .....	7

## SON

REGLAGES AUDIO .....	8
EGALISEUR GRAPHIQUE .....	8

## RECEPTION RADIO

ACCORD MANUEL .....	9
PREREGLAGE DE STATIONS .....	9

## LECTURE DE CASSETTE

OPERATIONS DE BASE .....	10
--------------------------	----

## LECTURE DE CD

OPERATIONS DE BASE .....	10
LECTURE PROGRAMMEE .....	12

## ENREGISTREMENT

ENREGISTREMENT DE BASE .....	13
ENREGISTREMENT AVEC MONTAGE ET CALCUL DU TEMPS .....	14
ENREGISTREMENT AVEC MONTAGE PROGRAMME .....	15

## HORLOGE ET MINUTERIE

REGLAGE DE L'HEURE .....	16
REGLAGE DU TEMPORISATEUR .....	16
REGLAGE DE LA MINUTERIE .....	17

## TOURNE-DISQUE

OPERATIONS DE BASE .....	18
--------------------------	----

## AUTRES RACCORDEMENTS

RACCORDEMENT D'UN APPAREIL OPTIONNEL .....	18
ECOUTE DE SOURCES EXTERNES .....	19

## GENERALITES

PRECAUTIONS A PRENDRE ET ENTRETIEN .....	19
GUIDE DE DEPANNAGE .....	20
SPECIFICATIONS .....	20

NOMENCLATURE .....	dos
--------------------	-----

F

# RACCORDEMENTS (Z-L10)

## IMPORTANT

Commencez par brancher les enceintes, les antennes et tous les appareils optionnels. Branchez le cordon d'alimentation secteur.

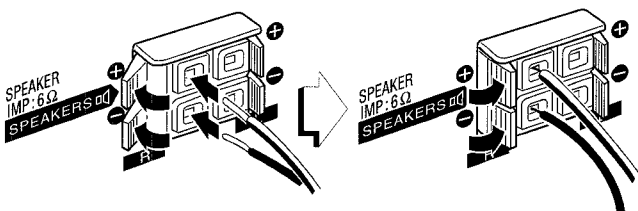
Il n'y a aucune différence entre les enceintes avant. Les enceintes de chaque type peuvent être branchées indifféremment comme enceintes gauche sur L ou enceintes droites sur R.

### Avant de brancher le cordon secteur

La tension nominale de votre appareil indiquée sur le panneau arrière est de 120 V, CA. Vérifiez si la tension nominale correspond à la tension du secteur local.

### 1 Raccordez les enceintes droite et gauche à l'appareil principal.

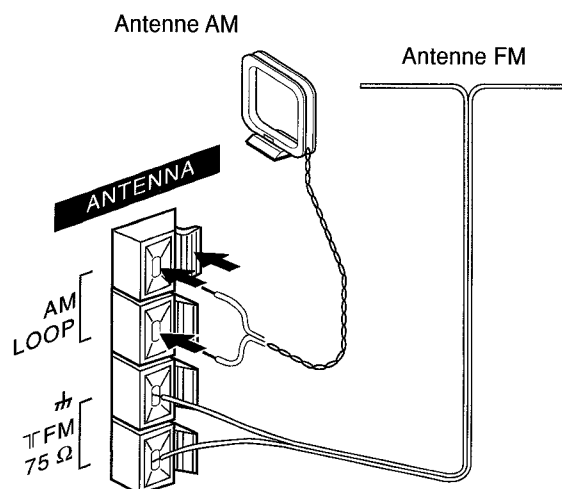
Raccordez le cordon d'enceinte droite aux bornes **SPEAKERS R** et le cordon d'enceinte gauche aux bornes **SPEAKERS L**.



Le cordon d'enceinte à rayure blanche doit être raccordé à la borne **+** et le cordon noir à la borne **-**.

### 2 Raccordez les antennes fournies.

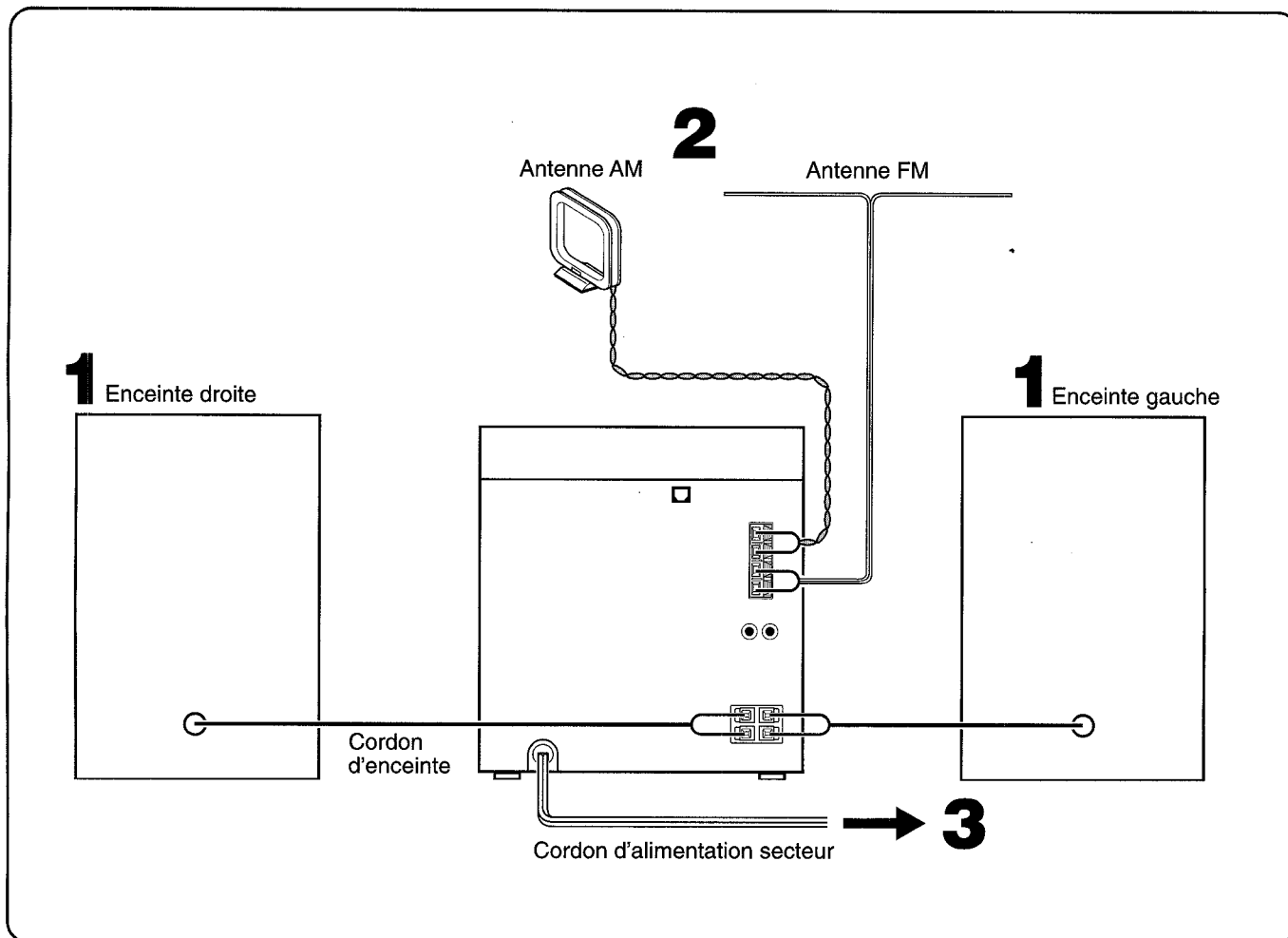
Raccordez l'antenne FM aux bornes **FM 75 Ω** et l'antenne AM aux bornes **AM LOOP**.



### 3 Raccordez le cordon d'alimentation secteur sur une prise de courant.

- Le jeu Demo démarre quand on branche le cordon secteur à une prise de courant. Pour plus de détails, voir la partie "Jeu Demo", page 7.

Voir la suite page 6.



# RACCORDEMENTS (Z-L11)

## IMPORTANT

Commencez par brancher les enceintes, les antennes et tous les appareils optionnels. Branchez le cordon d'alimentation secteur en dernier.

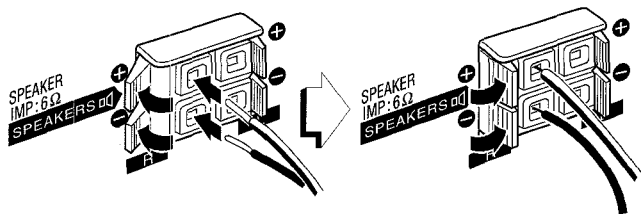
Il n'y a aucune différence entre les enceintes avant. Les enceintes de chaque type peuvent être branchées indifféremment comme enceintes gauche sur L ou enceintes droites sur R.

### Avant de brancher le cordon secteur

La tension nominale de votre appareil indiquée sur le panneau arrière est de 120 V, CA. Vérifiez si la tension nominale correspond à la tension du secteur local.

### 1 Raccordez les enceintes droite et gauche à l'appareil principal.

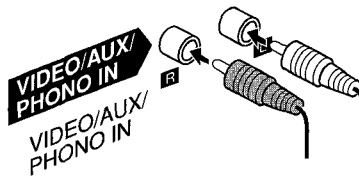
Raccordez le cordon d'enceinte droite aux bornes **SPEAKERS R** et le cordon d'enceinte gauche aux bornes **SPEAKERS L**.



Le cordon d'enceinte à rayure blanche doit être raccordé à la borne **+** et le cordon noir à la borne **-**.

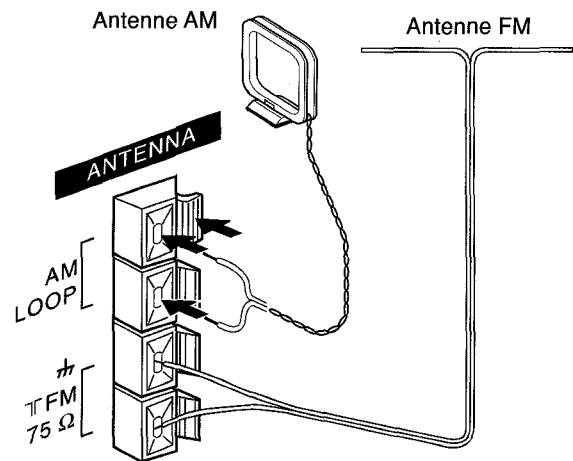
### 2 Raccordez le tourne-disque stéréo à l'appareil principal.

Raccordez la fiche rouge à la prise **VIDEO/AUX/PHONO IN R** et la fiche blanche à la prise **VIDEO/AUX/PHONO IN L**.



### 3 Raccordez les antennes fournies.

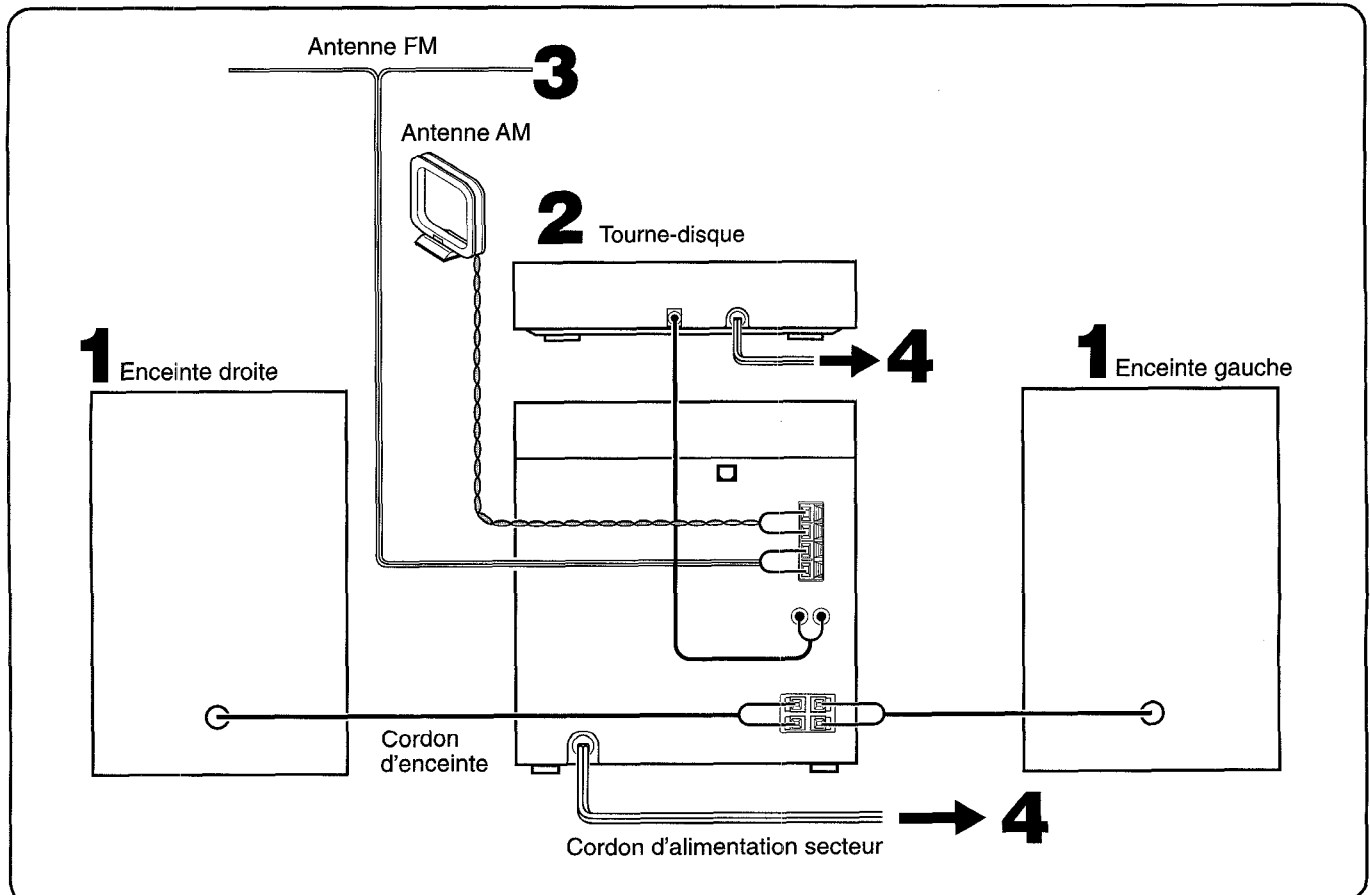
Raccordez l'antenne FM aux bornes **FM 75 Ω** et l'antenne AM aux bornes **AM LOOP**.



### 4 Raccordez le cordon d'alimentation secteur sur une prise de courant.

• Le jeu Demo démarre quand on branche le cordon secteur à une prise de courant. Pour plus de détails, voir la partie "Jeu Demo", page 6.

Voir la suite page 6.



## Pour installer les antennes

### Antenne FM intérieure:

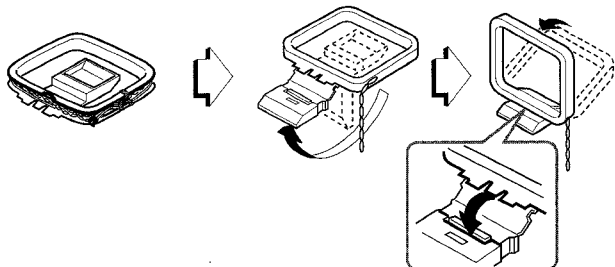
Déployez cette antenne horizontalement pour former un T et fixez ses extrémités à un mur.

### Antenne AM:

Orientez cette antenne de manière à obtenir la meilleure réception possible.

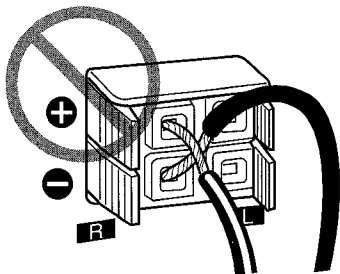
### Avant de poser l'antenne AM sur une surface

Fixez la griffe dans la rainure.



### REMARQUE

- Veillez à raccorder les cordons d'enceinte correctement. Des connexions incorrectes peuvent provoquer des court-circuits au niveau des bornes **SPEAKERS**.

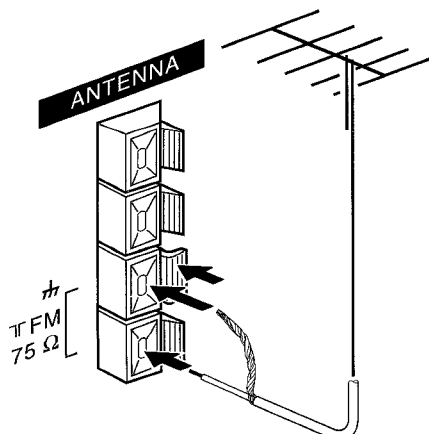


- Ne pas laisser d'objets produisant un champ magnétique, tels que des cartes de crédit, etc. près des enceintes. Ces objets pourraient être endommagés.
- Ne pas mettre l'antenne FM près d'objets métalliques ou de tringles à rideaux.
- Ne pas mettre l'antenne AM près d'un appareil optionnel, de la chaîne stéréo proprement dite, du cordon secteur ou des cordons d'enceinte; elle capterait des parasites.
- Ne pas dérouler le fil de l'antenne AM.

## RACCORDEMENT D'UNE ANTENNE EXTERIEURE

Pour obtenir une meilleure réception FM, il est recommandé d'utiliser une antenne extérieure.

Raccordez l'antenne extérieure aux bornes **FM 75 Ω**.

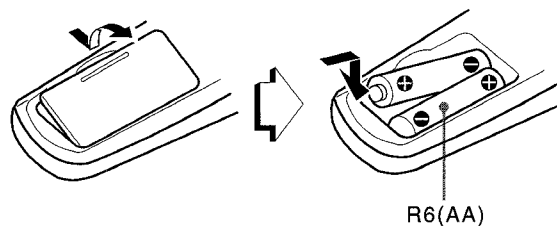


Pour raccorder un appareil optionnel → page 18.

## TELECOMMANDE

### Mise en place des piles

Enlevez le couvercle du logement des piles au dos de la télécommande et insérez deux piles R6 (format AA).



### Quand remplacer les piles

La distance maximale de fonctionnement de la télécommande entre cette dernière et le capteur situé sur l'appareil principal doit être d'environ 5 mètres (16 pieds). Lorsque cette distance diminue, remplacez les piles par des neuves.

### Pour utiliser SHIFT de la télécommande

Les touches ① ont deux fonctions différentes. Une de ces fonctions est indiquée sur la touche, et l'autre sur la plaque située au-dessus de la touche.

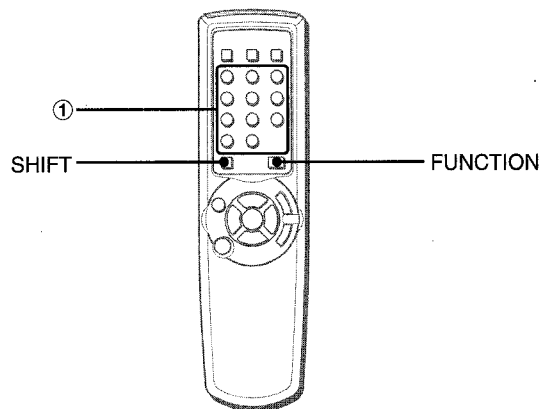
Pour utiliser la fonction principale de la touche, appuyez simplement sur cette touche.

Pour utiliser la fonction de la plaque au-dessus de la touche, appuyez sur cette touche tout en maintenant **SHIFT** enfoncée.

### Pour utiliser FONCTION de la télécommande

**FONCTION** remplace les touches de fonction (**TAPE, TUNER/BAND, VIDEO/AUX/PHONO, CD**) de l'appareil principal.

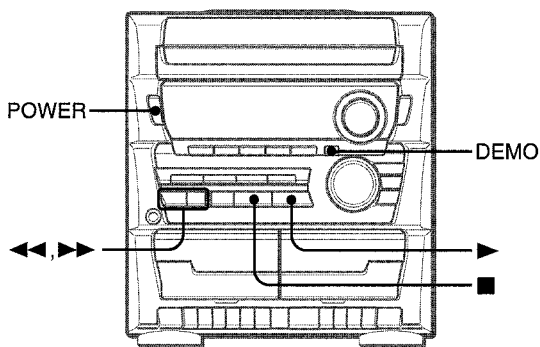
A chaque pression sur **FONCTION**, la fonction suivante est sélectionnée.



### REMARQUE

- Si la télécommande ne doit pas être utilisée pendant longtemps, enlevez les piles pour éviter tout risque de fuite d'électrolyte.
- La télécommande risque de ne pas fonctionner correctement quand:
  - l'espace entre la télécommande et le capteur situé dans l'afficheur est exposé à une lumière intense, comme les rayons du soleil.
  - d'autres télécommandes (celle d'un téléviseur, par exemple) sont utilisées à proximité.

## AVANT L'UTILISATION



### Pour mettre l'appareil sous tension

Appuyez sur une des touches de fonction (**TAPE, TUNER/BAND, VIDEO/AUX/PHONO, CD**). La lecture du disque en place commence, ou la station écoutée en dernier est reçue (fonction de lecture directe).

Vous pouvez aussi appuyer sur **POWER**.

### REMARQUE

Quand l'appareil est mis sous tension, il est possible que le tiroir à disques s'ouvre et se ferme pour réinitialiser l'appareil.

### Pour mettre l'appareil hors tension

Appuyez sur **POWER**.

## Jeu Demo

La première fois que le cordon secteur est branché à une prise de courant après l'achat, le jeu Demo démarre sur l'affichage. Quand on met l'appareil sous tension, le jeu Demo s'arrête. Quand on met l'appareil hors tension, le jeu Demo redémarre.

Jusqu'à ce que l'horloge soit réglée, le jeu Demo démarre chaque fois que l'appareil est mis hors tension.

Une fois que l'horloge est réglée, le jeu Demo ne démarre pas quand l'appareil est mis hors tension. (Voir "REGLAGE DE L'HEURE" à la page 16.)

### Pour démarrer ou arrêter le jeu Demo quand l'horloge est réglée

Appuyez sur **DEMO** quand l'appareil est hors tension; le jeu Demo démarre.

Pour arrêter le jeu Demo, appuyez de nouveau sur **DEMO**.

### Utilisation du jeu Demo

**1 Appuyez sur DEMO de manière que le jeu Demo soit affiché.**

**2 Appuyez sur ►.**

Trois chiffres se déplacent sur l'affichage.

**3 Appuyez une fois sur ■.**

Le chiffre de gauche s'arrête.

**4 Appuyez deux fois sur ■ pour arrêter les deux autres chiffres.**

*Marque:*

On dispose de 20 points au démarrage du jeu.

Si les trois chiffres sont égaux, 50 points sont ajoutés au score.

Si les chiffres ne sont pas égaux, un point est soustrait.

Si le total des points atteint 9999, on a gagné.

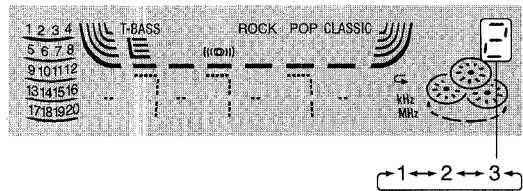
Si le total des points tombe à 0, on a perdu.

### Pour réinitialiser le jeu Demo

Appuyez deux fois sur **DEMO**, puis appuyez sur ►. Le jeu redémarre.

### Pour changer la probabilité d'égalisation des trois chiffres

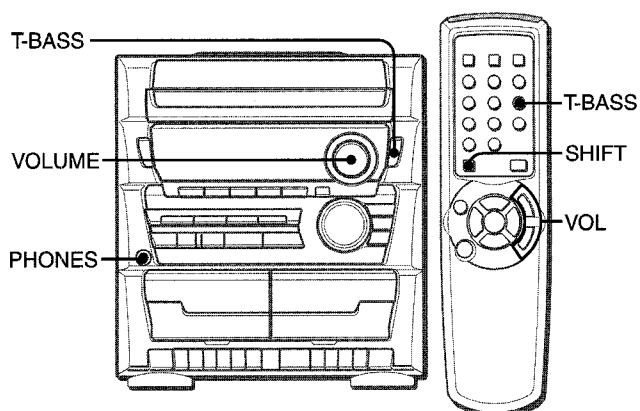
Appuyez sur ◀◀ ou ▶▶ à plusieurs reprises pour sélectionner un des trois niveaux de probabilité lors de l'utilisation du jeu Demo. L'indicateur de numéro de plateau affiché change entre 1 et 3. La probabilité d'égalisation augmente comme le numéro de plateau augmente de 1 à 3.



### REMARQUE

- Pendant l'utilisation du jeu Demo, ■, ◀◀, ▶▶ et ► ne sont disponibles que pour ce jeu. Pour utiliser ces touches pour les fonctions telles que lecture de disque compact ou autre, annulez la démonstration du jeu.
- Pendant le jeu Demo, certains indicateurs sans rapport avec l'utilisation en cours peuvent s'allumer sur l'affichage.

## REGLAGES AUDIO



### CONTRÔLE DU VOLUME

Tournez la commande **VOLUME** de l'appareil principal ou appuyez sur **VOL** de la télécommande.

Le niveau du volume est indiqué par un nombre de 00 à MAX (31).

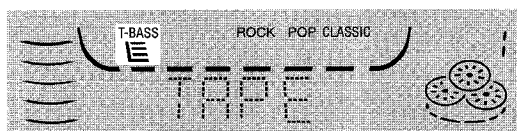
Le volume est automatiquement réglé sur 16 s'il avait été réglé sur 17 ou plus au moment de la mise hors tension de la chaîne.

### SYSTEME SUPER T-BASS

Le système T-BASS améliore le réalisme du son dans les basses fréquences.

**Appuyez sur T-BASS.**

A chaque pression sur cette touche, le niveau change. Sélectionnez un des trois niveaux, ou désactivez le système, selon vos préférences.



#### Pour sélectionner avec la télécommande

Appuyez sur **T-BASS** tout en maintenant **SHIFT** enfoncée.

#### REMARQUE

Le son dans les basses fréquences risque d'être déformé quand le système T-BASS est utilisé pour un disque ou une cassette dont les basses fréquences ont déjà été accentuées. Dans ce cas, désactivez le système T-BASS.

#### Utilisation d'un casque

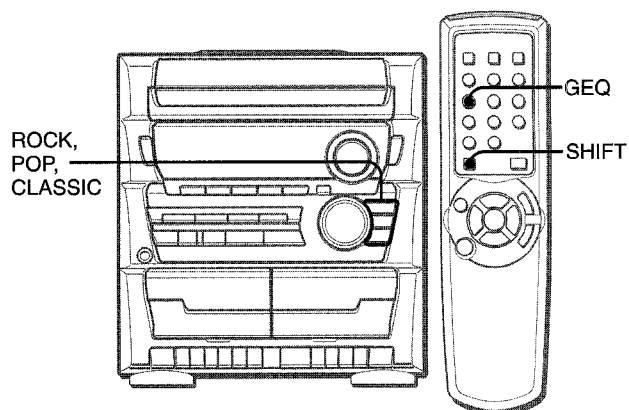
Branchez un casque muni d'une fiche stéréo standard (6,3 mm  $\varnothing$ ) sur la prise **PHONES**.

Aucun son n'est fourni par les enceintes quand un casque est branché.

#### Réglage du son pendant l'enregistrement

Le volume de sortie et le timbre des enceintes ou du casque peuvent être modifiés à volonté sans que l'enregistrement en soit affecté.

## EGALISEUR GRAPHIQUE



Cet appareil propose les 3 courbes d'égalisation suivantes.

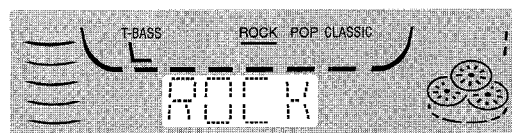
**ROCK:** Son puissant accentuant les aigus et les graves.

**POP:** Présence renforcée des voix et des médiums.

**CLASSIC:** Son enrichi avec graves lourds et aigus fins.

**Appuyez sur une des touches de l'égaliseur graphique (ROCK, POP, CLASSIC).**

Le mode d'égalisation sélectionné est affiché.

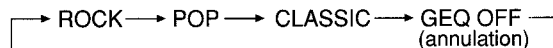


#### Pour annuler le mode sélectionné

Appuyez de nouveau sur la touche sélectionnée jusqu'à ce que "GEQ OFF" soit affiché.

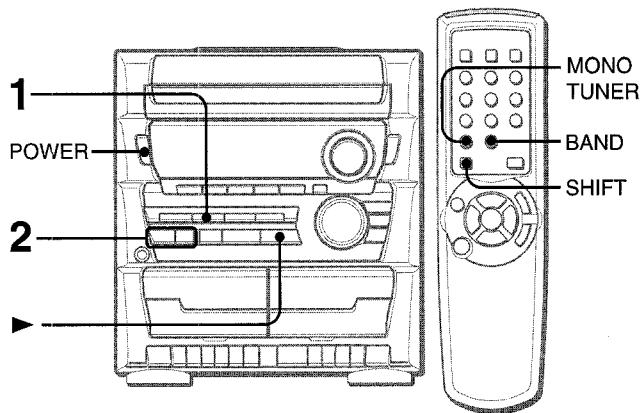
#### Pour sélectionner avec la télécommande

Appuyez de façon répétée sur **GEQ** tout en maintenant **SHIFT** enfoncée. Les modes GEQ sont affichés l'un après l'autre dans l'ordre suivant.





## ACCORD MANUEL



### 1 Appuyez sur TUNER/BAND pour sélectionner la gamme FM ou AM.

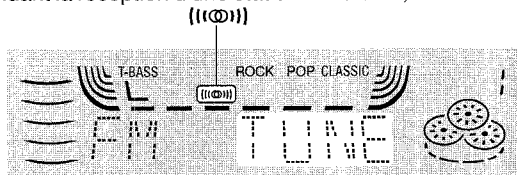
La radio peut être allumée directement quand la chaîne est hors tension par une simple pression sur **TUNER/BAND** (mise en service directe).

**Pour sélectionner une gamme avec la télécommande**  
Appuyez de façon répétée sur **BAND** tout en maintenant **SHIFT** enfoncée.

### 2 Appuyez sur ◀◀ DOWN ou ▶▶ UP pour sélectionner une station.

A chaque pression sur cette touche la fréquence change. Quand une station est reçue, "TUNE" est affiché pendant 2 secondes.

Pendant la réception d'une station FM stéréo, ((Ⓜ)) est affiché.



### Pour rechercher rapidement une station (Recherche automatique)

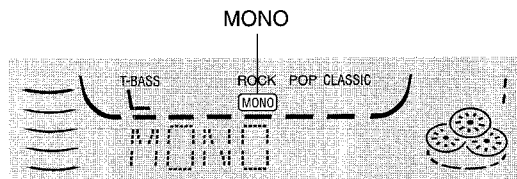
Appuyez continu ◀◀ DOWN ou ▶▶ UP jusqu'à ce que la fréquence affichée commence à changer rapidement. Quand une station est accordée, la recherche s'arrête. Pour arrêter la recherche automatique manuellement, appuyez sur ◀◀ DOWN ou ▶▶ UP.

• La recherche automatique peut ne pas s'arrêter sur les stations dont les signaux sont très faibles.

### Quand une émission FM stéréo contient des parasites

Appuyez sur **MONO TUNER** de la télécommande tout en maintenant **SHIFT** enfoncée de telle façon que "MONO" soit affiché.

Les parasites sont réduits, mais la réception est monophonique.



Pour rétablir la réception stéréophonique, appuyez sur **MONO TUNER** de la télécommande tout en maintenant **SHIFT** enfoncée de telle façon que "STEREO" soit affiché.

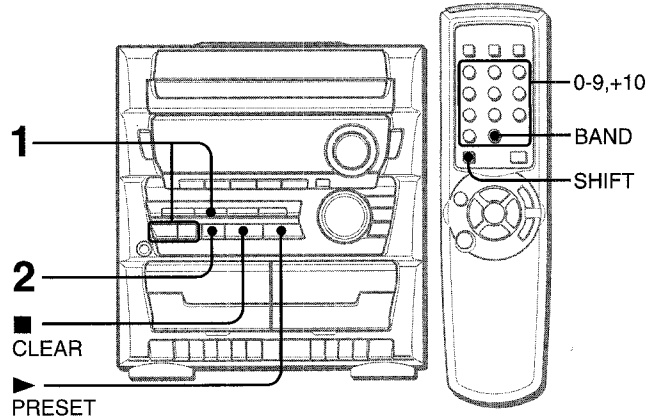
### Pour changer l'intervalle d'accord AM

Le réglage par défaut de l'intervalle d'accord AM est de 10 kHz/pas. Si vous utilisez l'appareil dans une région où le système d'allocation de fréquences est de 9 kHz/pas, changez l'intervalle. Appuyez sur **POWER** tout en maintenant ▶ de l'appareil enfoncée. Pour rétablir l'intervalle initial, répétez cette procédure.

#### REMARQUE

Quand vous changez l'intervalle d'accord AM, toutes les stations pré-réglées sont effacées. Les stations doivent être enregistrées de nouveau comme stations pré-réglées.

## PREREGLAGES DE STATIONS



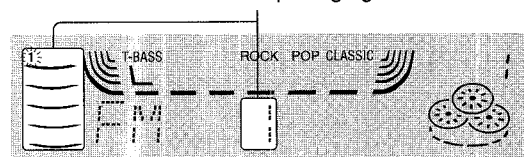
L'appareil peut stocker un total de 32 stations pré-réglées. Quand une station est enregistrée, un numéro de pré-réglage est affecté à chaque station. Utilisez le numéro de pré-réglage pour accorder directement une station pré-réglée.

### 1 Appuyez sur TUNER/BAND pour sélectionner une gamme, puis sur ◀◀ DOWN ou ▶▶ UP pour sélectionner une station.

### 2 Appuyez sur IISET pour enregistrer la station.

Un numéro de pré-réglage est affecté à chaque station, à partir de 1 dans l'ordre consécutif pour chaque gamme.

Numéro de pré-réglage



### 3 Répétez les étapes 1 et 2.

La station suivante ne sera pas enregistrée si 32 stations ont déjà été stockées.

#### REMARQUE

"FULL" est affiché si on tente de mémoriser plus de 32 stations.

## ACCORD PAR NUMERO DE PREREGLAGES

Utilisez la télécommande pour sélectionner directement le numéro de pré-réglage.

### 1 Appuyez sur BAND tout en maintenant SHIFT enfoncée pour sélectionner une gamme.

### 2 Appuyez sur les touches numériques 0 à 9 et +10 pour sélectionner un numéro de pré-réglage.

Exemple:

Pour sélectionner le numéro de pré-réglage 20, appuyez sur +10, +10 et 0.

Pour sélectionner le numéro de pré-réglage 15, appuyez sur +10 et 5.

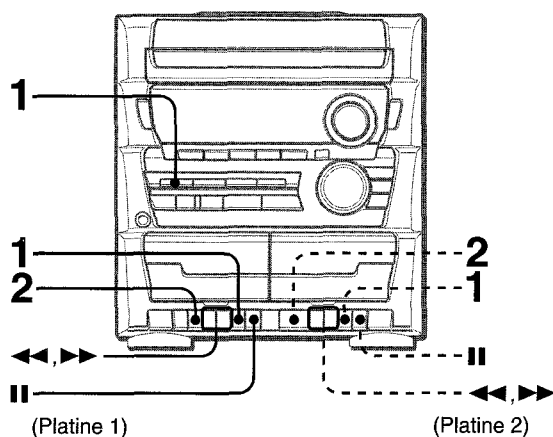
### Sélection d'un numéro de pré-réglage sur l'appareil principal

Appuyez sur **TUNER/BAND** pour sélectionner une gamme. Puis, appuyez à plusieurs reprises sur ▶PRESET. A chaque pression sur ▶PRESET, le numéro suivant est sélectionné.

### Pour effacer une station pré-réglée

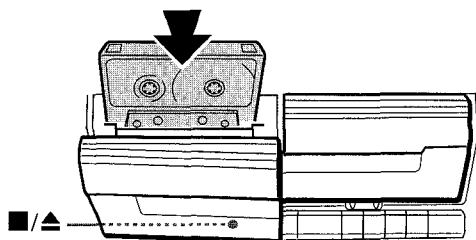
Sélectionnez le numéro de pré-réglage de la station à effacer avec les touches numériques. Puis, appuyez sur ■CLEAR, et sur IISET dans les 4 secondes qui suivent. Les numéros de pré-réglage de toutes les stations suivantes de la gamme diminuent d'une unité.

## OPERATIONS DE BASE

**Cassettes utilisables**

Utilisez des cassettes de Type I (normal) seulement.

- 1 Appuyez sur TAPE puis sur ■/▲ pour ouvrir le porte-cassette.**



Insérez une cassette avec le côté exposé du ruban magnétique en bas. Appuyez sur le porte-cassette pour le fermer.

- 2 Appuyez sur ► pour commencer la lecture.**

Seule la face tournée vers l'extérieur de l'appareil peut être reproduite.

**Pour arrêter la lecture, appuyez sur ■/▲.**

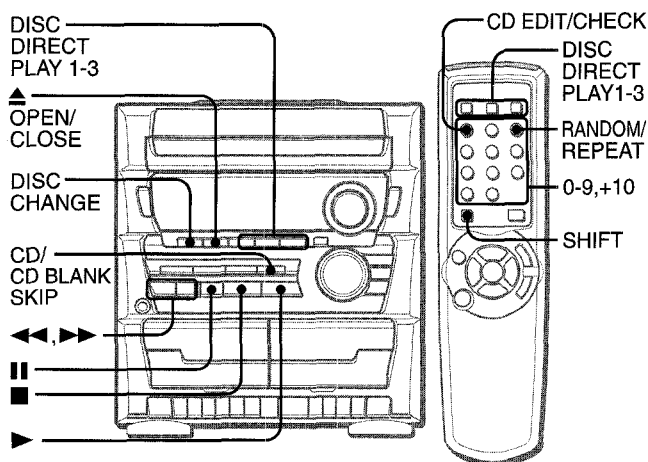
**Pour interrompre la lecture, appuyez sur ||.** Pour continuer la lecture, appuyez de nouveau sur cette touche.

**Pour avancer rapidement ou rembobiner la bande, appuyez sur ◀◀ ou ▶▶ en mode d'arrêt.** Puis, appuyez sur ■/▲ pour arrêter le défilement de la bande.

**Si les platines 1 et 2 sont réglées toutes les deux sur le mode de lecture**

Vous entendrez le son de la platine 2.

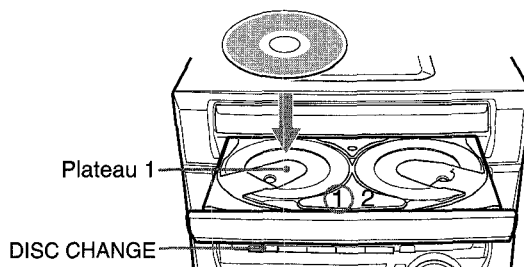
## OPERATIONS DE BASE

**CHARGEMENT DES DISQUES**

Appuyez sur CD, puis sur ▲OPEN/CLOSE pour ouvrir le tiroir. Mettez le(s) disque(s) en place avec l'étiquette tournée vers le haut.

**Pour charger un ou deux disques,** posez les disques sur les plateaux 1 et 2.

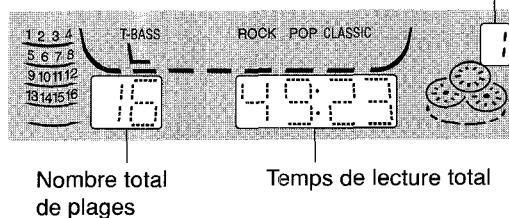
**Pour charger de trois disques,** appuyez sur DISC CHANGE pour faire tourner les plateaux après avoir posé deux disques. Posez le troisième disque sur le plateau 3.



**Après avoir mis les disques en place, appuyez sur ▲OPEN/CLOSE** pour refermer le tiroir à disques.

Les informations concernant le disque qui va être reproduit sont affichées.

Numéro du plateau du disque à reproduire

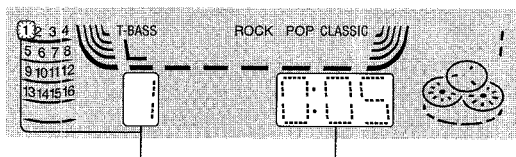


## LECTURE DE DISQUES

Chargez les disques.

**Pour écouter tous les disques en place dans le tiroir, appuyez sur ►.**

La lecture commence avec le disque du plateau 1.

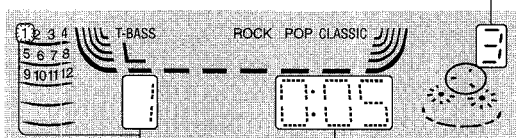


Numéro de la plage reproduite    Temps de lecture écoulé

**Pour écouter un disque seulement, appuyez sur une des touches DISC DIRECT PLAY 1 à 3.**

Le disque sélectionné est reproduit une fois.

Numéro du plateau de disque sélectionné



Numéro de la plage en cours de lecture    Temps de lecture écoulé

**Pour arrêter la lecture, appuyez sur ■.**

**Pour interrompre la lecture, appuyez sur III.** Pour continuer la lecture, appuyez de nouveau sur cette touche.

**Pour rechercher un point particulier pendant la lecture, maintenez ◀◀ ou ▶▶ enfoncée** jusqu'à ce que le point souhaité soit atteint et relâchez la touche.

**Pour passer au début d'une plage pendant la lecture, appuyez** à plusieurs reprises sur ◀◀ ou ▶▶.

**Pour enlever des disques, appuyez sur ▲ OPEN/CLOSE.**

**Pour commencer la lecture quand la chaîne est hors tension (fonction de lecture directe)**

Appuyez sur CD. L'appareil est mis sous tension et la lecture du ou des disque(s) en place commence.

Quand vous appuyez sur ▲ OPEN/CLOSE, la chaîne est aussi mise sous tension et le tiroir à disques s'ouvre.

**Pour vérifier le temps restant**

Appuyez sur CD EDIT/CHECK de la télécommande pendant la lecture, tout en maintenant SHIFT enfoncée. Le temps restant jusqu'à ce que toutes les plages soient lues est affiché. Pour revenir à l'affichage du temps de lecture, répétez l'opération précédente.

**Sélection d'une plage avec la télécommande**

1 Appuyez sur une des touches DISC DIRECT PLAY 1 à 3 pour sélectionner un disque.

2 Appuyez sur les touches numériques 0 à 9 et +10 pour sélectionner une plage.

Exemple:

Pour sélectionner la 25e plage, appuyez sur les touches +10, +10 et 5.

Pour sélectionner la 10e plage, appuyez sur les touches +10 et 0.

La lecture commence par la plage sélectionnée et continue jusqu'à la fin du disque.

**Changement de disques pendant la lecture**

Pendant qu'un disque est en cours de lecture, les autres disques peuvent être remplacés sans interruption de la lecture.

1 Appuyez sur DISC CHANGE.

2 Enlevez les disques et remplacez-les par d'autres.

3 Appuyez sur ▲ OPEN/CLOSE pour refermer le tiroir.

### REMARQUE

- Quand vous chargez un disque de 8 cm (3 pouces), veillez à le poser précisément dans le cercle intérieur du plateau. Sinon, le disque risque d'être endommagé et le tiroir de ne pas pouvoir être refermé. Si le tiroir ne s'ouvre pas, veuillez vous adresser à votre revendeur Aiwa pour toute réparation.
- Ne pas poser plus d'un disque compact sur un plateau.
- Ne pas incliner l'appareil quand des disques sont en place. Un dysfonctionnement peut s'ensuivre.
- Avant de transporter l'appareil, enlevez les disques.
- Ne pas utiliser des disques compacts de forme irrégulière (par. ex. disques en forme de cœur ou octogonaux). Cela pourrait provoquer des pannes.

## LECTURE ALEATOIRE/REPETEE

Utilisez la télécommande.

**Lecture aléatoire (RANDOM)**

Toutes les plages du disque sélectionné ou de tous les disques peuvent être lues dans un ordre aléatoire.

**Lecture répétée (REPEAT)**

Un seul disque ou tous les disques peuvent être lus à plusieurs reprises.

**Appuyez sur RANDOM/REPEAT tout en maintenant SHIFT enfoncée.**

A chaque pression sur cette touche, les fonctions peuvent être sélectionnées l'une après l'autre.

**Lecture aléatoire** — RANDOM s'allume sur l'afficheur.

**Lecture répétée** — ◀ s'allume sur l'afficheur.

**Lecture aléatoire/répétée** — RANDOM et ◀ s'allument sur l'afficheur.

**Annulation** — RANDOM et ◀ disparaissent de l'afficheur.

**Pour écouter tous les disques, appuyez sur ►** pour commencer la lecture.

**Pour écouter un seul disque, appuyez sur une des touches DISC DIRECT PLAY 1 à 3** pour commencer la lecture.

### REMARQUE

Pendant la lecture aléatoire, il est impossible de revenir au début de la plage précédente avec la touche ◀◀.

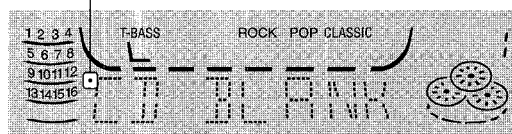
## LECTURE AVEC SAUT DES BLANCS

Les parties vierges se trouvant entre les plages enregistrées sur un disque compact peuvent être sautées pendant la lecture.

1 Appuyez sur CD/CD BLANK SKIP de l'appareil.

"CD BLANK SKIP ON" est affiché et un petit point apparaît sur l'affichage.

Petit point



2 Appuyez sur ► pour démarrer la lecture.

Les parties vierges se trouvant entre les plages sont sautées, et le son est lu sans interruption. Si le son d'une la plage s'affaiblit (si la plage se termine avec une diminution progressive du niveau sonore), la partie de l'affaiblissement est aussi sautée.

**Pour revenir à la lecture normale**

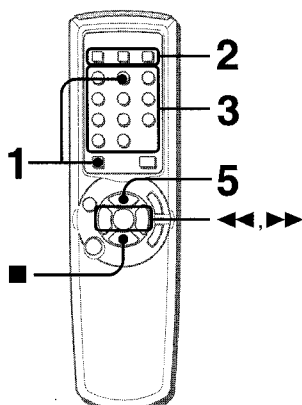
Appuyez de nouveau sur CD/CD BLANK SKIP. "CD BLANK SKIP OFF" est affiché et le petit point disparaît de l'affichage.

### REMARQUE

- Il peut y avoir des cas où la lecture avec saut des blancs ne fonctionne pas correctement.
- La lecture avec saut des blancs est automatiquement annulée lors de l'ENREGISTREMENT AVEC MONTAGE ET CALCUL DU TEMPS (voir page 14), lors de l'ENREGISTREMENT AVEC MONTAGE PROGRAMME (voir page 15) ou lors de l'enregistrement pendant la LECTURE PROGRAMMEE (voir page 12) ou la LECTURE ALEATOIRE (voir page 11).

## LECTURE PROGRAMMÉE

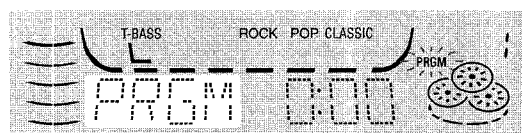
Il est possible de programmer jusqu'à 30 plages d'un des disques insérés.



Utilisez la télécommande.

### 1 Appuyez sur PRGM en mode d'arrêt tout en maintenant SHIFT enfoncée.

"PRGM" apparaît sur l'afficheur.



### 2 Appuyez sur une des touches DISC DIRECT PLAY 1 à 3 pour sélectionner un disque.

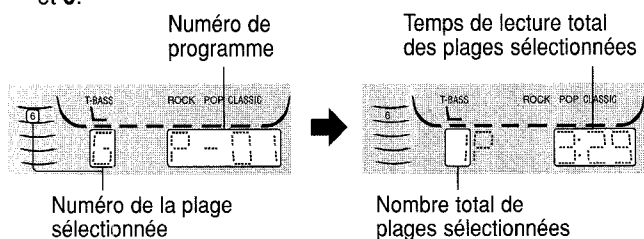
Passez à l'étape suivante quand le plateau cesse de tourner.

### 3 Appuyez sur les touches numériques 0 à 9 et +10 pour programmer une plage.

Exemple:

Pour sélectionner la 25e plage, appuyez sur les touches +10, +10 et 5.

Pour sélectionner la 10e plage, appuyez sur les touches +10 et 0.



### 4 Répétez les étapes 2 et 3 pour programmer d'autres plages.

### 5 Appuyez sur ► pour commencer la lecture.

#### Pour vérifier le programme

A chaque pression sur ◀◀ ou ▶▶ en mode d'arrêt, un numéro de disque, un numéro de plage et un numéro de programme sont affichés.

#### Pour effacer le programme

Appuyez sur ■ CLEAR en mode d'arrêt.

#### Pour ajouter des plages au programme

Répétez les étapes 2 et 3 en mode d'arrêt. La plage est programmée après dernière plage.

#### Pour changer les plages programmées

Effacez le programme puis répétez toutes les étapes.

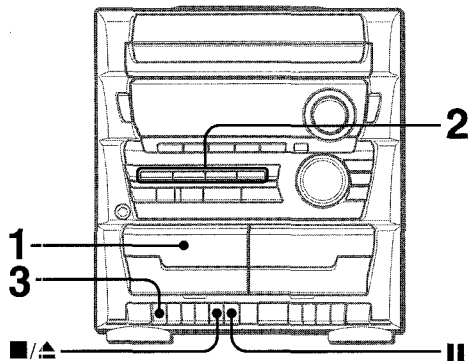
#### Pour écouter les plages programmées à plusieurs reprises

Après avoir programmé les plages, appuyez de façon répétée sur **RANDOM/REPEAT** tout en maintenant **SHIFT** enfoncée jusqu'à ce que ◀ apparaisse sur l'afficheur.

#### REMARQUE

- Pendant la lecture programmée, vous ne pouvez pas utiliser le mode de lecture aléatoire, vérifiez le temps restant ou sélectionner une plage.
- "FULL" est affiché si on tente de programmer plus de 30 plages.

ENREGISTREMENT DE BASE

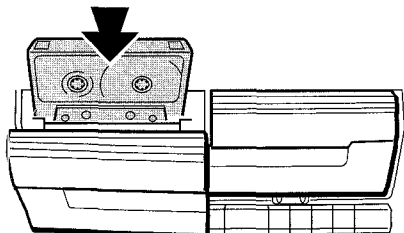


Préparatifs

- Utilisez des cassettes de Type I (normal) seulement.
- Avancez la bande jusqu'au point où l'enregistrement doit commencer.
- Notez bien que l'enregistrement sera effectué sur une face de la cassette seulement.

1 Insérez la cassette à enregistrer dans la platine 1.

Insérez la cassette avec la face à enregistrer en premier tournée vers l'extérieur de l'appareil.



2 Appuyez sur une des touches de fonction et préparez la source à enregistrer.

**Pour enregistrer à partir d'un CD,** appuyez sur CD et mettez le(s) disque(s) en place.

**Pour enregistrer à partir d'une cassette,** appuyez sur TAPE. Puis, introduisez la cassette originale dans la platine 2 et reproduisez-la.

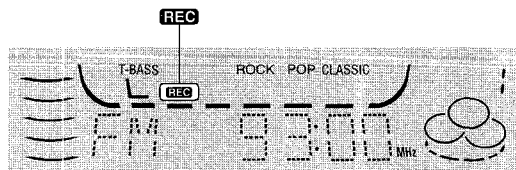
**Pour enregistrer une émission de radio,** appuyez sur TUNER/BAND et accordez une station.

**Pour enregistrer à partir de la source raccordée,** appuyez sur VIDEO/AUX/PHONO et commencez la reproduction de la source.

3 Appuyez sur ● de la platine 1 pour commencer l'enregistrement.

► est enclenchée en même temps.

Quand la fonction sélectionnée est CD, la lecture et l'enregistrement commencent simultanément.



Pour arrêter l'enregistrement, appuyez sur ■/▲ de la platine 1.

Pour interrompre l'enregistrement, appuyez sur || de la platine 1.

Pour continuer l'enregistrement, appuyez de nouveau sur cette touche.

Pour enregistrer les plages sélectionnées d'un CD

Avant d'appuyer sur ●, programmez les plages (voir page 12).

Pour enregistrer un passage d'un CD

Quand vous appuyez sur ●, l'enregistrement commence toujours à partir du début de la première plage. Pour commencer au milieu d'une plage, reproduisez d'abord le CD et appuyez sur IISET pour le CD au point où vous souhaitez commencer l'enregistrement. Puis, appuyez sur ●. Le mode de pause pour la touche CD est désactivé automatiquement et l'enregistrement commence.

Réglage du son pendant l'enregistrement

On peut faire varier librement le volume de sortie et la tonalité des enceintes ou du casque sans affecter l'enregistrement.

REMARQUE

- Ne pas appuyer sur les touches de la platine 2 pendant l'enregistrement.
- Vous ne pourrez pas appuyer sur ● si l'ergot de sécurité d'une face ou de l'autre de la cassette a été brisé.

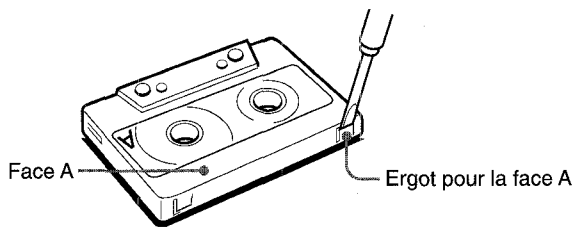
Pour effacer un enregistrement

Un enregistrement effectué précédemment est effacé quand vous enregistrez à nouveau sur cette même partie de la bande.

- 1 Insérez la cassette à effacer dans la platine 1.
- 2 Appuyez sur TAPE et arrêtez toutes les opérations de la platine 2.
- 3 Avancez la bande jusqu'au point où l'effacement doit commencer.
- 4 Appuyez sur ● de la platine 1 pour commencer l'effacement.

Au sujet des cassettes

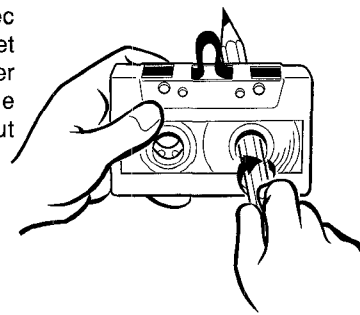
- Pour éviter un effacement accidentel, utilisez un tournevis ou tout autre objet pointu pour briser les ergots en plastique de la cassette après l'enregistrement.



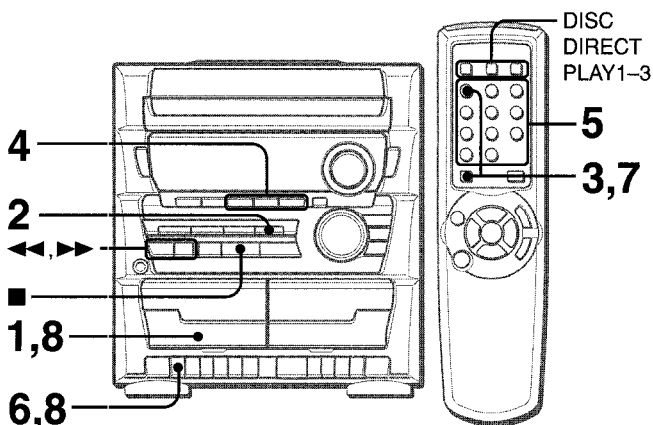
Pour réenregistrer une cassette, couvrez les cavités des ergots avec du ruban adhésif, etc.

- La bande des cassettes de 120 minutes ou plus est extrêmement fine et peut se déformer ou être endommagée facilement. L'utilisation de ce type de cassette est déconseillé.

- Tendez la bande avec un crayon ou un objet similaire avant d'utiliser une cassette. Une bande détendue peut se rompre ou s'em mêler dans le mécanisme.



## ENREGISTREMENT AVEC MONTAGE ET CALCUL DU TEMPS



La fonction d'enregistrement avec montage et calcul du temps (AI edit recording) permet d'enregistrer des CD sans se préoccuper de la durée de la cassette et des plages. Quand un CD est inséré, l'appareil calcule automatiquement la durée totale des plages. Si nécessaire, l'ordre des plages est changé de manière à ce qu'aucune plage ne soit tronquée. (AI: Intelligence Artificielle)

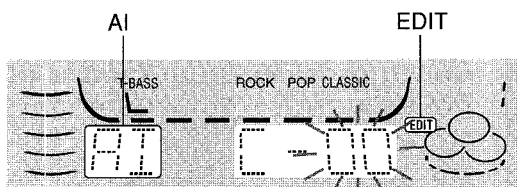
### 1 Insérez la cassette à enregistrer dans la platine 1.

Insérez la cassette avec la face à enregistrer en premier tournée vers l'extérieur de l'appareil, et rembobinez la cassette avec ◀◀.

### 2 Appuyez sur CD et mettez le(s) disque(s) en place.

### 3 Appuyez une fois sur CD EDIT/CHECK de la télécommande tout en maintenant SHIFT enfoncée.

"EDIT" et "AI" s'allument sur l'afficheur.



- Quand "PRGM" est affiché, appuyez de nouveau sur CD EDIT/CHECK en maintenant SHIFT enfoncée.

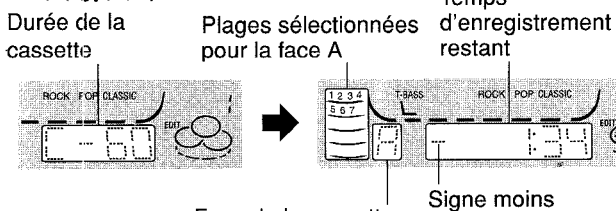
### 4 Appuyez sur une des touches DISC DIRECT PLAY 1 à 3 pour sélectionner un disque.

### 5 Appuyez sur les touches numériques 0 à 9 de la télécommande pour spécifier la durée de la cassette.

Vous pouvez spécifier une durée de 10 à 99 minutes. Exemple: Pour utiliser une cassette de 60 minutes, appuyez sur 6 et 0.

En quelques secondes, les plages à enregistrer sur chaque face de la cassette sont déterminées.

- Vous pouvez aussi déterminer la durée de la cassette avec ◀◀ et ▶▶.



Face de la cassette  
A: Première face d'enregistrement  
B: Seconde face d'enregistrement

### 6 Appuyez sur ● de la platine 1 pour commencer l'enregistrement sur la première face.

REC clignote pendant dix secondes, puis la lecture du CD et l'enregistrement des plages programmées pour la première face commencent simultanément. Lorsque la cassette arrive en fin de bande, la platine 1 entre en mode d'arrêt d'enregistrement. Après l'entrée en mode d'enregistrement, passez à l'étape 7.

### 7 Appuyez sur CD EDIT/CHECK de la télécommande tout en maintenant SHIFT enfoncée pour afficher le programme pour la seconde partie de l'enregistrement.

"B" est affiché.

### 8 Retournez la cassette de la platine 1 et appuyez sur ● pour commencer l'enregistrement sur la deuxième face.

#### Pour arrêter l'enregistrement

Appuyez sur ■/▲ de la platine 1.

L'enregistrement de la cassette et la lecture du CD s'arrêtent simultanément.

#### Pour effacer le programme

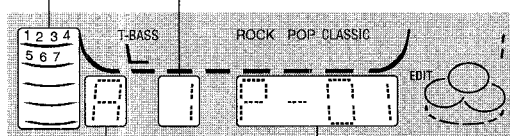
Appuyez deux fois sur ■ CLEAR en mode d'arrêt de telle façon que "EDIT" disparaisse de l'afficheur, ou appuyez sur ▲ OPEN/CLOSE.

#### Pour vérifier l'ordre des numéros des plages programmées

Avant l'enregistrement, appuyez sur CD EDIT/CHECK de la télécommande tout en maintenant SHIFT enfoncée pour sélectionner la face A ou B, puis appuyez à plusieurs reprises sur ◀◀ ou ▶▶.

Numéros des plages

programmées Numéro de plage



Face de la cassette

Numéro de programme

#### Pour ajouter des plages d'autres disques au programme

Si la cassette n'est pas pleine après l'étape 5, vous pourrez ajouter des plages des autres disques du tiroir à disques.

1 Appuyez sur CD EDIT/CHECK de la télécommande tout en maintenant SHIFT enfoncée pour sélectionner la face A ou B.

2 Appuyez sur une des touches DISC DIRECT PLAY 1 à 3 pour sélectionner un disque.

3 Appuyez sur les touches numériques de la télécommande pour sélectionner les plages.

Une plage dont la durée de lecture est supérieure au temps restant ne peut pas être programmée.

4 Pour ajouter d'autres plages, répétez les étapes 2 et 3.

#### Durée des cassettes et temps de montage

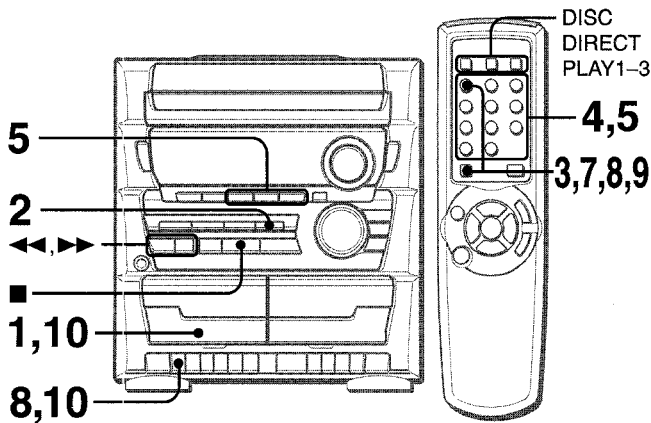
La durée d'une cassette est généralement supérieure à celle indiquée sur l'étiquette. Cet appareil peut programmer des plages pour utiliser le temps en excès. Quand la durée totale d'enregistrement est légèrement supérieure à la durée spécifiée pour la cassette après le montage, l'afficheur indique le temps en excès (sans signe moins) au lieu du temps restant (avec le signe moins).

#### REMARQUE

- Si l'ergot de sécurité d'une face ou l'autre de la cassette a été brisé, l'enregistrement ne s'effectue pas.

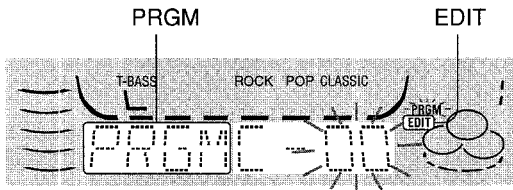
- La fonction de montage avec calcul du temps ne peut pas être utilisée avec les disques contenant 31 plages ou plus. "TR OVER" est affiché si un tel disque est utilisé.

# ENREGISTREMENT AVEC MONTAGE PROGRAMME



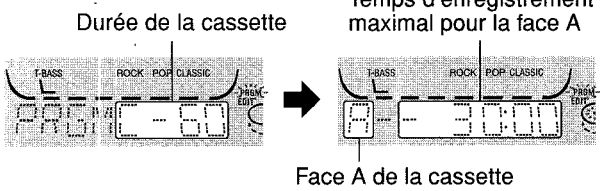
En mode d'enregistrement avec montage programmé, vous pouvez programmer les plages tout en contrôlant le temps restant sur chaque face de la cassette au fur et à mesure de la programmation des pages.

- 1 Insérez la cassette dans la platine 1.**  
Insérez la cassette avec la face à enregistrer en premier tournée vers l'extérieur de l'appareil, et rembobinez la cassette avec ◀◀.
- 2 Appuyez sur CD et mettez le(s) disque(s) en place.**
- 3 Appuyez deux fois sur CD EDIT/CHECK de la télécommande tout en maintenant SHIFT enfoncée.**  
"EDIT" et "PRGM" s'allument sur l'afficheur.

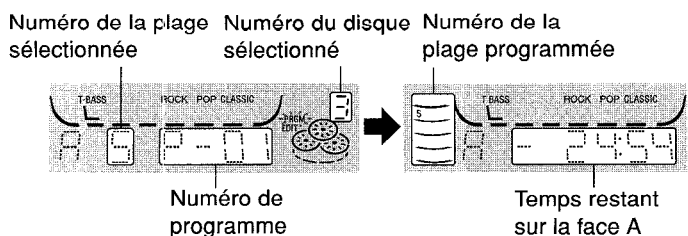


• Quand "AI" est affiché, appuyez de nouveau sur CD EDIT/CHECK tout en maintenant SHIFT enfoncée.

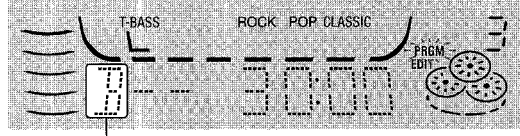
- 4 Appuyez sur les touches numériques de la télécommande pour spécifier la durée de la cassette.**  
Vous pouvez spécifier une durée de 10 à 99 minutes.  
• Vous pouvez aussi déterminer la durée de la cassette avec ◀◀ et ▶▶.



- 5 Appuyez sur une des touches DISC DIRECT PLAY 1 à 3 pour sélectionner un disque.**  
**Puis, appuyez sur les touches numériques 0 à 9 et +10 de la télécommande pour programmer une page.**  
Exemple: Pour sélectionner la 10e page du disque 2, appuyez sur DISC DIRECT PLAY 2, puis sur +10 et 0.



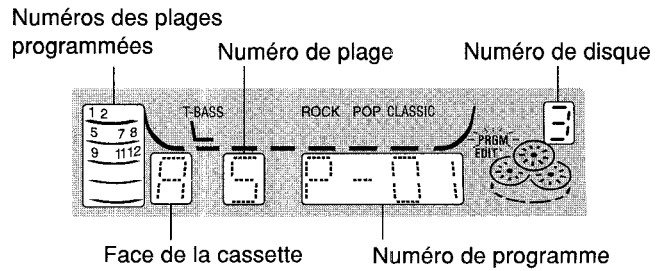
- 6 Répétez l'étape 5 pour le reste des plages de la face A.**  
Une plage dont la durée de lecture est supérieure au temps restant ne peut pas être programmée.
- 7 Appuyez sur CD EDIT/CHECK de la télécommande tout en maintenant SHIFT enfoncée pour sélectionner la face B, puis programmez les plages pour cette face.**



- 8 Appuyez sur CD EDIT/CHECK tout en maintenant SHIFT enfoncée pour sélectionner la face A et appuyez sur ● de la platine 1.**  
REC clignote pendant dix secondes, puis la lecture du CD et l'enregistrement des pages programmées pour la première face commencent simultanément. Lorsque la cassette arrive en fin de bande, la platine 1 entre en mode d'arrêt d'enregistrement. Après l'entrée en mode d'enregistrement, passez à l'étape 9.
- 9 Appuyez sur CD EDIT/CHECK de la télécommande tout en maintenant SHIFT enfoncée pour commencer l'enregistrement sur la deuxième face.**  
"B" est affiché.
- 10 Retournez la cassette de la platine 1 et appuyez sur ● pour commencer l'enregistrement.**  
L'enregistrement commence.

**Pour arrêter l'enregistrement**  
Appuyez sur ■/▲ de la platine 1. L'enregistrement de la cassette et la lecture du CD s'arrêtent simultanément.

**Pour vérifier l'ordre des numéros des pages programmées**  
Avant l'enregistrement, appuyez sur CD EDIT/CHECK de la télécommande tout en maintenant SHIFT enfoncée pour sélectionner la face A ou B, puis appuyez à plusieurs reprises sur ◀◀ ou ▶▶.



**Pour changer le programme de chaque face**  
Appuyez sur CD EDIT/CHECK de la télécommande tout en maintenant SHIFT enfoncée pour sélectionner la face A ou B, et sur ■CLEAR pour effacer le programme de la face sélectionnée. Puis, programmez à nouveau les pages.

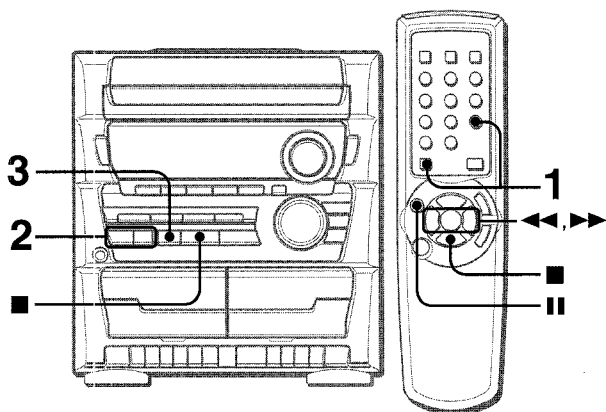
**Pour effacer le programme**  
Appuyez deux fois sur ■CLEAR en mode d'arrêt de telle façon que "EDIT" disparaisse de l'afficheur.

**REMARQUE**

- Si l'ergot de sécurité d'une face ou l'autre de la cassette a été brisé, l'enregistrement ne s'effectue pas.
- Il est possible de programmer jusqu'à 30 pages d'un des disques insérés.
- "FULL" est affiché si on tente de programmer plus de 30 pages.



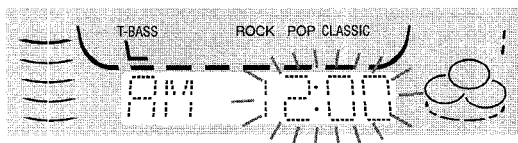
**REGLAGE DE L'HEURE**



Lorsque l'horloge est réglée, le signe ":" entre les heures et les minutes clignote. Lors du premier branchement du cordon secteur à une prise de courant après l'achat ou quand le réglage de l'horloge est annulé du fait d'une interruption d'alimentation, la totalité de l'affichage de l'horloge clignote.

Utilisez la télécommande.

**1 Appuyez une fois sur CLOCK de la télécommande tout en maintenant SHIFT enfoncée.**



**2 Dans les 4 secondes qui suivent, appuyez sur << ou >> pour désigner l'heure et les minutes.**

Le fait de tenir l'une ou l'autre de ces touches enfoncée fait varier l'heure rapidement.

**3 Appuyez sur II.**

L'horloge se met en marche à partir de 00 seconde.

**Pour faire apparaître l'horloge quand un autre affichage est en service**

Appuyer sur **CLOCK** tout en appuyant sur **SHIFT**. L'heure est affichée pendant quatre secondes puis l'affichage initial réapparaît. Toutefois, l'heure ne peut pas être affichée pendant l'enregistrement.

**Pour passer au format de 24 heures**

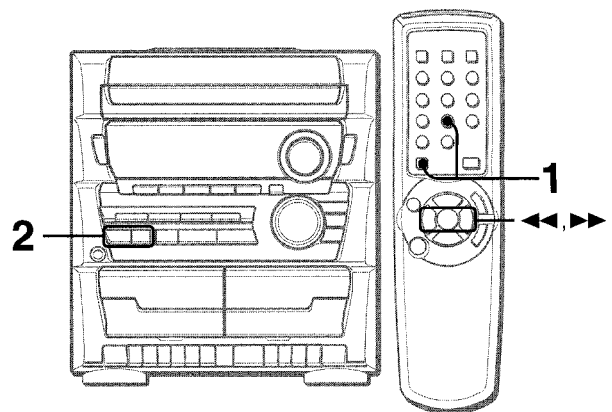
Appuyez une fois sur **CLOCK** tout en maintenant **SHIFT** enfoncée, puis dans les 4 secondes qui suivent sur ■.

Pour revenir au format de 12 heures, procédez de la même manière.

**Si l'affichage de l'horloge clignote**

Si l'affichage de l'horloge clignote, cela signifie que l'horloge s'est arrêtée du fait d'une interruption d'alimentation ou du fait que le cordon secteur a été débranché. L'heure courante doit être réglée de nouveau.

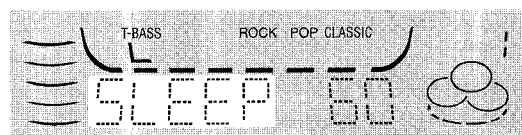
**REGLAGE DU TEMPORISATEUR**



Le temporisateur permet de mettre l'appareil hors tension automatiquement au bout d'un temps spécifié.

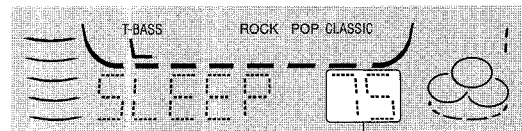
Utilisez la télécommande.

**1 Appuyez sur SLEEP de la télécommande tout en maintenant SHIFT enfoncée.**



**2 Dans les 4 secondes qui suivent, appuyez sur << ou >> pour spécifier le temps avant mise hors tension.**

Le temps change entre 5 et 240 minutes par intervalles de 5 minutes.



Temps spécifié

Quand le temporisateur est en service, l'afficheur est plus sombre que d'habitude.

**Pour vérifier le temps restant avant la mise hors tension**

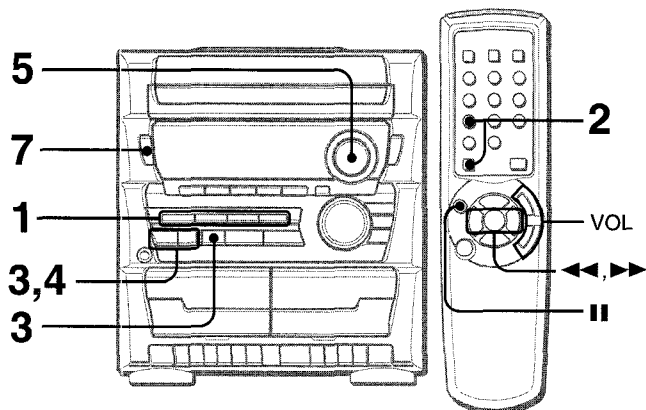
Appuyez une fois sur **SLEEP** tout en maintenant **SHIFT** enfoncée. Le temps restant est affiché pendant 4 secondes.

**Pour mettre le temporisateur hors service**

Appuyez deux fois sur **SLEEP** tout en maintenant **SHIFT** enfoncée de telle façon que "SLEEPoFF" apparaisse sur l'afficheur.



## REGLAGE DE LA MINUTERIE



Avec la minuterie intégrée, l'appareil peut être mis sous tension chaque jour à l'heure spécifiée.

### Préparatifs

Assurez-vous que l'horloge est à l'heure.

#### 1 Appuyez sur une des touches de fonction pour sélectionner une source.

- Si on appuie sur **TUNER/BAND**, la gamme peut être sélectionnée à cette étape.

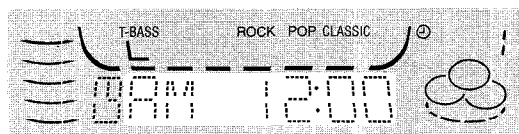
#### 2 Appuyez sur **TIMER** de la télécommande tout en maintenant **SHIFT** enfoncée jusqu'à ce que ☺ et "▶ **PLAY**" apparaissent sur l'affichage.

L'heure et le nom de la source audio clignotent alternativement.



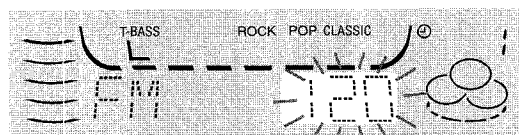
#### 3 Dans les six secondes, appuyez sur ◀◀ ou ▶▶ pour spécifier l'heure de la mise sous tension par la minuterie, puis appuyez sur ||.

Le fait de tenir l'une ou l'autre de ces touches enfoncée fait varier l'heure rapidement.



#### 4 Dans les quatre secondes, appuyez sur ◀◀ ou ▶▶ pour sélectionner la durée de la mise sous tension par la minuterie.

La durée peut être spécifiée entre 5 et 240 minutes par pas de 5 minutes.



La durée est automatiquement réglée au bout de quatre secondes. Elle est aussi réglée si on appuie sur || dans les quatre secondes après l'étape 4.

#### 5 Réglez le volume.

Lors de la mise sous tension par la minuterie, le son de la source sera reproduit au niveau du volume réglé à cette étape. Toutefois, si le niveau du volume est réglé à 17 ou plus, il sera automatiquement réglé à 16 lors de la mise sous tension.

#### 6 Préparez la source.

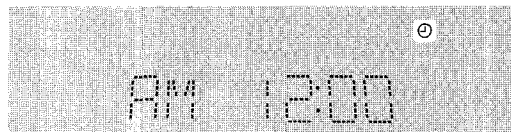
**Pour écouter un CD**, mettez le disque à écouter en premier en place sur le plateau 1.

**Pour écouter une cassette**, mettez la cassette en place dans la platine 1 ou 2.

**Pour écouter la radio**, accordez une station.

#### 7 Appuyez sur **POWER** pour mettre l'appareil hors tension.

☺ reste affiché après la mise hors tension de la chaîne (mode d'attente).



#### 8 Préparez la fonction **TAPE** ou l'enregistrement programmé.

**Pour écouter la cassette**, appuyez sur ▶ de la platine 1 ou 2.

**Pour enregistrer la source**, mettez la cassette en place dans la platine 1 et appuyez sur ● de la platine 1.

Quand l'heure de la mise sous tension par la minuterie est atteinte, l'appareil est mis sous tension et la lecture de la source sélectionnée commence.

### REMARQUE

En appuyant sur une des touches de fonction avant d'appuyer sur || à l'étape 3, on peut changer la source sélectionnée à l'étape 1.

#### Durée d'enregistrement commandé par la minuterie et durée de cassette

Quand la durée de la cassette à enregistrer est inférieure à la durée d'enregistrement commandé par la minuterie, la touche ● de la platine 1 est désactivée avant que la minuterie soit arrêtée. Quand la durée de la cassette à enregistrer est supérieure à la durée d'enregistrement commandé par la minuterie, la touche ● n'est pas désactivée. Si cette touche n'est pas désactivée pendant longtemps, la cassette de la platine risque d'être endommagée. Appuyez sur la touche ■/▲ pour désactiver la touche ●.

#### Pour contrôler le réglage de la minuterie

Appuyez sur **TIMER** tout en maintenant **SHIFT** enfoncée.

La source sélectionnée, l'heure de la mise sous tension par la minuterie et la durée de la mise sous tension par la minuterie sont affichées pendant quatre secondes.

#### Pour changer un réglage

Recommencez à partir de l'étape 1.

Toutefois, si on ne change pas l'heure de la mise sous tension par la minuterie, appuyez deux fois sur || à l'étape 3 et continuez à partir de l'étape 4.

#### Pour annuler provisoirement le mode attente de minuterie

Appuyez sur **TIMER** tout en maintenant **SHIFT** enfoncée de manière que ☺ disparaisse.

Pour rétablir le mode attente de minuterie, appuyez de nouveau sur les touches de manière que ☺ soit affiché.

#### Utilisation de l'appareil lorsque la minuterie est réglée

On peut utiliser l'appareil normalement après avoir réglé la minuterie.

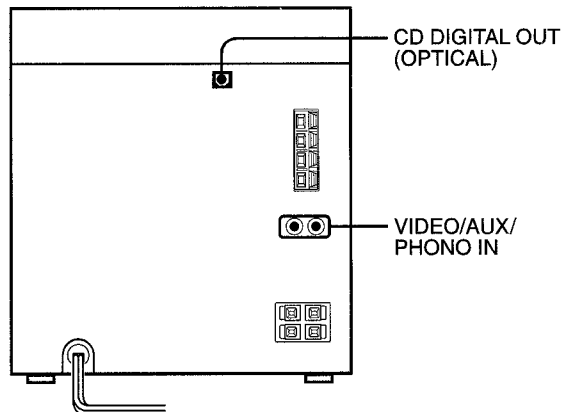
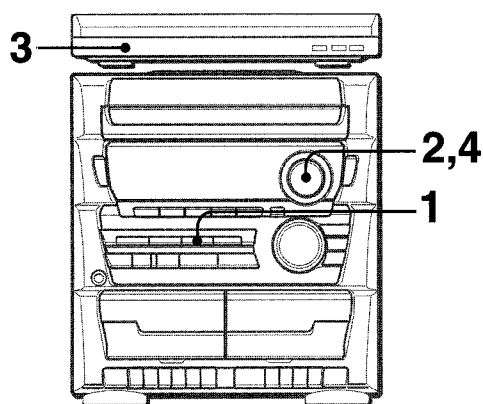
Avant de mettre l'appareil hors tension, effectuez les étapes 5 et 6.

### REMARQUE

- La lecture et l'enregistrement commandés par la minuterie ne se feront pas si l'appareil n'est pas mis hors tension.
- Un appareil connecté ne peut pas être mis sous et hors tension par la minuterie intégrée de l'appareil principal. Utilisez une minuterie externe.
- Quand la minuterie est en marche, l'indication de l'affichage est plus sombre que d'habitude.

**OPERATIONS DE BASE**

**RACCORDEMENT D'UN APPAREIL OPTIONNEL**



**Préparation**

- Raccordez le tourne-disque stéréo fourni à l'appareil principal. (Voir page 5)
- Mettez le sélecteur **EQUALIZER AMP.** du tourne-disque en position ON. (Reportez-vous au mode d'emploi du tourne-disque pour plus de détails.)

**1 Appuyez sur la touche VIDEO/AUX/PHONO de l'appareil principal.**

"VIDEO" apparaît sur l'afficheur.  
Le nom de source affiché peut être remplacé par "PHONO".  
(Voir "ECOUTE DE SOURCES EXTERNES" à la page 19.)

**2 Réglez le volume au minimum.**

Tournez la commande **VOLUME** dans le sens contraire des aiguilles d'une montre jusqu'à ce que "VOL 0" apparaisse.

**3 Lancez la lecture du disque sur le tourne-disque.**

Reportez-vous au mode d'emploi du tourne-disque pour plus de détails.

**4 Réglez le volume selon vos préférences.**

Pour plus de détails, reportez-vous au mode d'emploi de l'appareil raccordé.

- Les cordons de liaison ne sont pas fournis. Veuillez vous procurer les cordons nécessaires.
- Pour les appareils optionnels disponibles, consultez votre revendeur Aiwa.

**PRISES VIDEO/AUX/PHONO IN**

Cet appareil peut recevoir des signaux sonores analogiques par ces prises.

Utilisez un cordon à fiches RCA (Cinch) pour raccorder un appareil audio (lecteur LD, platine MD, magnétophone, téléviseur, etc.).

Branchez la fiche rouge sur la prise **VIDEO/AUX/PHONO IN R** et la fiche blanche sur la prise **VIDEO/AUX/PHONO IN L**.

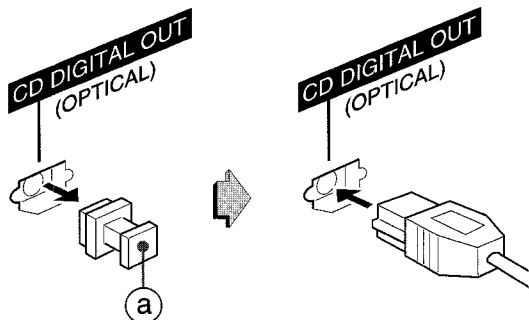
**Si vous raccordez un tourne-disque**

Utilisez un tourne-disque Aiwa équipé d'un amplificateur égaliseur.

**PRISE CD DIGITAL OUT (OPTICAL)**

Cet appareil peut transmettre les signaux sonores numériques d'un CD par cette prise. Utilisez un câble optique pour raccorder un appareil audionumérique (platine DAT, platine MD, etc.).

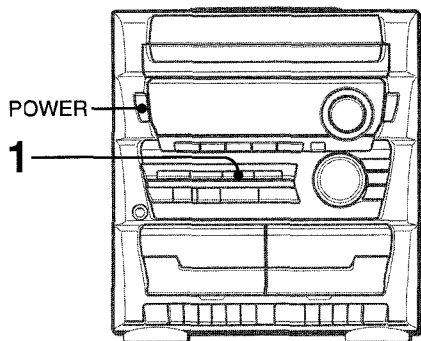
Enlevez le capuchon antipoussière (a) de la prise **CD DIGITAL OUT (OPTICAL)**, puis branchez la fiche d'un câble optique sur cette prise.



**Quand la prise CD DIGITAL OUT (OPTICAL) n'est pas utilisée**

Mettez en place le capuchon antipoussière fourni.

## ECOUTE DE SOURCES EXTERNES



Pour utiliser l'appareil raccordé aux prises **VIDEO/AUX/PHONO IN**, suivez la procédure ci-dessous.

### 1 Appuyez sur VIDEO/AUX/PHONO.

"VIDEO" apparaît sur l'afficheur.

### 2 Mettez l'appareil raccordé en marche.

#### Pour changer le nom de la source affichée

Quand vous appuyez sur **VIDEO/AUX/PHONO**, "VIDEO" est affiché initialement. Il peut être remplacé par "AUX" ou "TV" ou "PHONO".

L'appareil étant sous tension, appuyez sur **POWER** tout en maintenant **VIDEO/AUX/PHONO** enfoncée.

Répétez ces opérations jusqu'à ce que le nom souhaité apparaisse sur l'afficheur.

## PRECAUTIONS A PRENDRE ET ENTRETIEN

Un entretien régulier est indispensable pour optimiser les performances de l'appareil.

#### Nettoyage du coffret

Utilisez un chiffon doux et sec.

Si le coffret est très sale, utilisez un chiffon légèrement imbibé d'une solution détergente neutre. Ne pas utiliser de solvants forts, tels que de l'alcool, de la benzine ou du diluant qui pourraient endommager la finition de l'appareil.

#### Nettoyage des têtes du magnétocassette

Quand les têtes du magnétocassette sont sales:

- il n'y a pas de sons aigus
- le son est trop faible
- le son est déséquilibré
- l'effacement d'une cassette est impossible
- l'enregistrement d'une cassette est impossible

Toutes les dix heures d'utilisation, nettoyez les têtes du magnétocassette avec une cassette prévue à cet effet.

Pour plus de détails, se référer au mode d'emploi de la cassette de nettoyage.

#### Démagnétisation des têtes du magnétocassette

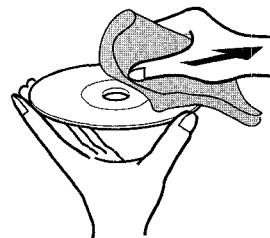
A la longue, les têtes du magnétocassette peuvent devenir magnétisées. Ceci peut restreindre la plage de sortie des cassettes enregistrées et augmenter le bruit.

A l'aide d'une cassette de démagnétisation disponible dans le commerce, démagnétisez les têtes du magnétocassette toutes les 20 à 30 heures d'utilisation.

Pour plus de détails, se référer au mode d'emploi de la cassette de démagnétisation.

#### Précautions à prendre et entretien des disques

- Si un disque est sale, essuyez-le du centre vers la périphérie avec un chiffon de nettoyage.



- Après la lecture d'un disque, rangez-le dans son étui. Ne pas le laisser dans un endroit chaud ou humide.

#### Précautions à prendre pour les cassettes

- Après utilisation, rangez les cassettes dans leurs boîtes.
- Ne pas laisser les cassettes près d'un aimant, d'un moteur, d'un téléviseur ou de toute autre source de champ magnétique. La qualité sonore pourrait être dégradée et des parasites être produits.
- Ne pas exposer les cassettes à la lumière directe du soleil ni les laisser dans un véhicule garé en plein soleil.

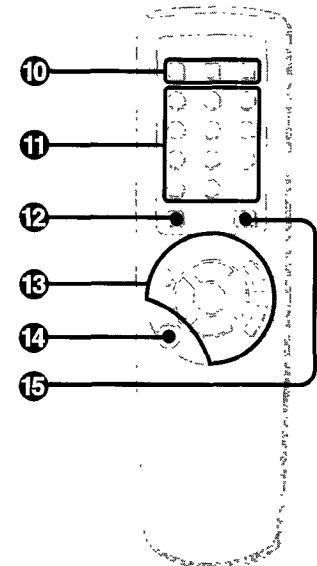
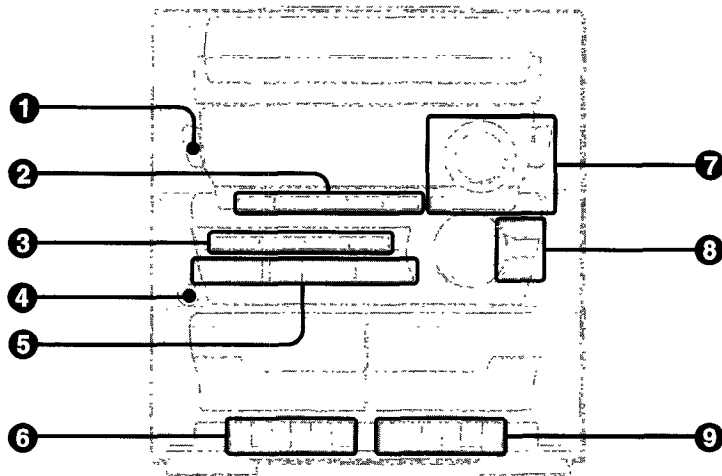
## **DERECHOS DE AUTOR**

Sírvase comprobar las leyes de derechos de autor relacionadas con la grabación de discos, de la radio o de cintas del país en el que se utilice el aparato.









Name/Nombre/Nom	Page/Página/Page
① POWER .....	7,9,17,20
② DISC CHANGE .....	10
▲ OPEN/CLOSE .....	10,14
DISC DIRECT PLAY1-3 .....	10,12,14,15
③ TAPE .....	10,11
TUNER/BAND .....	9,13
VIDEO/AUX/PHONO .....	13,18,19
CD/CD BLANK SKIP .....	10,11,14,15
④ PHONES .....	8
⑤ ◀◀/▶▶ DOWN .....	7,9-12,14-17
UP ▶▶/◀◀ .....	7,9-12,14-17
▢ SET .....	9-11,16,17
■ CLEAR .....	7,9-12,
14-16,20	
▶ PRESET .....	7,9-12
⑥ DECK 1 (●, ▶, ◀◀, ▶▶, ■/▲, ▢) .....	10,13-15,17
⑦ VOLUME .....	8,17,18
T-BASS .....	8
DEMO .....	7
⑧ Graphic equalizer (ROCK, POP, CLASSIC) .....	9
⑨ DECK 2 (▶, ◀◀, ▶▶, ■/▲, ▢) .....	10,17

Name/Nombre/Nom	Page/Página/Page
⑩ DISC DIRECT PLAY1-3 .....	10-12,14,15
⑪ 0-9,+10 .....	9,11,12,
14,15	
1/CD EDIT/CHECK .....	11,14,15
2/PRGM .....	12
3/RANDOM/REPEAT .....	11
4/GEQ .....	9
6/T-BASS .....	8
7/TIMER .....	17
8/SLEEP .....	16
9/CLOCK .....	16
0/MONO TUNER .....	9,13
+10/BAND .....	9,11,12,15
⑫ SHIFT .....	7
⑬ ▶▶/▶▶ UP .....	7,9-12,14-17
◀◀/◀◀ DOWN .....	7,9-12,14-17
▢ SET .....	9-11,16,17
■ CLEAR .....	7,9-12,
14-16,20	
▶ PRESET .....	7,9-12
VOL(∨,∧) .....	8,17,18
⑭ POWER .....	7,9,17,20
⑮ FUNCTION .....	7

For assistance and information

**call toll free 1-800-BUY-AIWA** (United States and Puerto Rico)